

Zinc  it
MARITIME SPARES

SACRIFICIAL
ANODES

ZINC | ALUMINUM | MAGNESIUM



ZINC-IT ANODES

The anodes protect the metallic surfaces against the corrosion imposed by the water. In the order to ensure the continuous protection of the ships, reservoirs and underwater structures, a peridical substitution of the anodes is required.

Zinc-it anodes are produced in zinc, aluminium and magnesium alloys according to rigorous quality control and always accompanied by a quality certificate. Our metallurgical laboratory and ISO 9001 certification ensure that the produced anodes meet international standards of the clients' requiriments.



Our standard anodes range

We produce anodes for all kinds of vessels, ships and underwater structures.

ANODES

Zinc-it is a Portuguese brand of Zinc and Aluminium anodes for cathodic protection. Producing anodes since 2000, we are an experienced and dynamic team, providing tailor-made solutions in response to our clients' needs.

WE TAKE QUALITY VERY SERIOUSLY

Our modern lab and our daily quality control assure the top quality of all our products. As an ISO 9001-2015 certified company, this is the only way we can live up to the high quality standards demanded by the market. We also supply a quality certificate after thorough analysis on our spectrometer - SpectroMax F.

QUALITY AND FLEXIBILITY

Zinc-it is made for you. Here you will find suitable products for different boats and underwater and offshore wind power structures.

We provide quality products and detail-oriented solutions in a timely manner for our customers. Try it out.



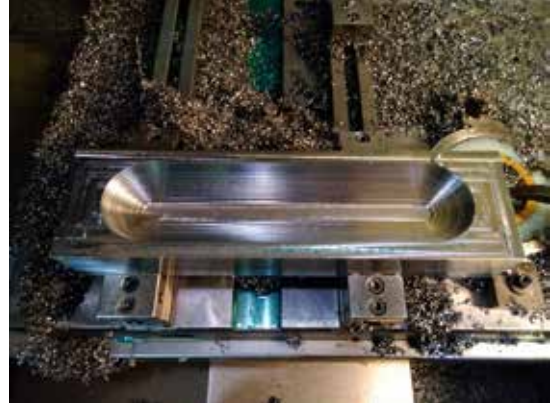
Standard anodes and tailor-made

We produce both catalogue anodes and tailor-made anodes to meet our clients' needs.



Anode's shape

Anode's shape as shown in the Catalogue or Tailor-made moulds.



Straps

Regular (10x20, 14x20 and 20x30)
or Customized Straps.

S
E
T
T
I
N
G
S

Protection

We can also paint the anodes or provide rubber flaps.



Insulation
Rubber



Rear
Paint

INDEX

7 - 11

FISHING BOATS

ZINC AND ALUMINUM

12 - 25

MARITIME VESSELS

13 - 15 | 16 - 17

HULL ANODES

ZINC AND ALUMINUM

18 - 19 | 20 - 21

HULL RUDDER

ZINC AND ALUMINUM

22 - 23 | 24 - 25

TANK ANODES

ZINC AND ALUMINUM

26 - 32

NAUTICAL VESSELS

27 | 32

FAIRLINE ANODES

ZINC AND ALUMINUM

28 - 29

BARRELS

SHAFT ANODES

PROPELLER ANODES

ZINC

29

SINGLE DISC ANODES

ZINC AND ALUMINUM

29 - 30

DOUBLE SIDE DISC ANODES

NDP70 | NDP90 | NDP130

30

DISC ANODES

ZINC

30 - 31

NPL ANODES - PLATES

ZINC

31

SUSPENDED ANODES

ZINC

INDEX

33 - 42 ENGINE ZINC ANODES

34 REPLACEMENT KITS

34 - 37 VOLVO PENTA

37 - 40 MERCURY MERCUISER

40 HONDA

41 YANMAR

41 - 42 YAMAHA MARINER

43 - 45 COOLING SYSTEM ZINC ANODES

44 CYLINDRICAL ANODES

44 PENCILS

45 TAILOR-MADE PENCIL ANODES

46 - 51 HYDROJET ANODES

47 - 49 | 50 - 51 HYDROJET ANODES

ZINC AND ALUMINUM

49 CASTOLDI KITS

ZINC

52 - 54 OTHER ANODES

53 ANODES FOR FISHING FARMING

ZINC

53 - 54 ANODES FOR HOT WATER

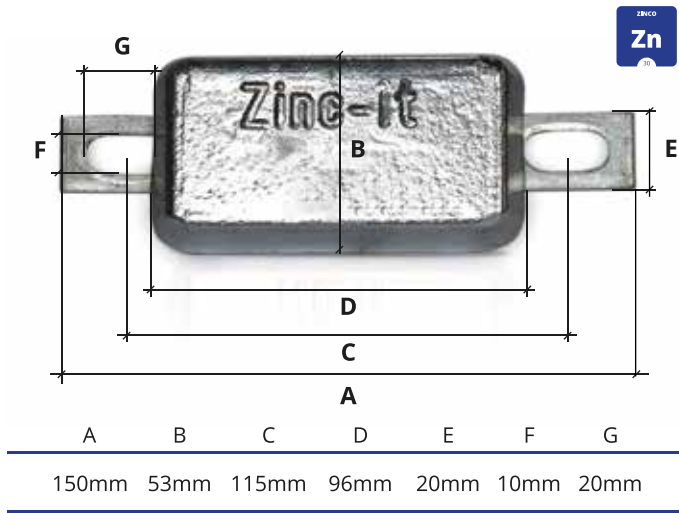
ZINC AND ALUMINUM

FISHING
BOATS

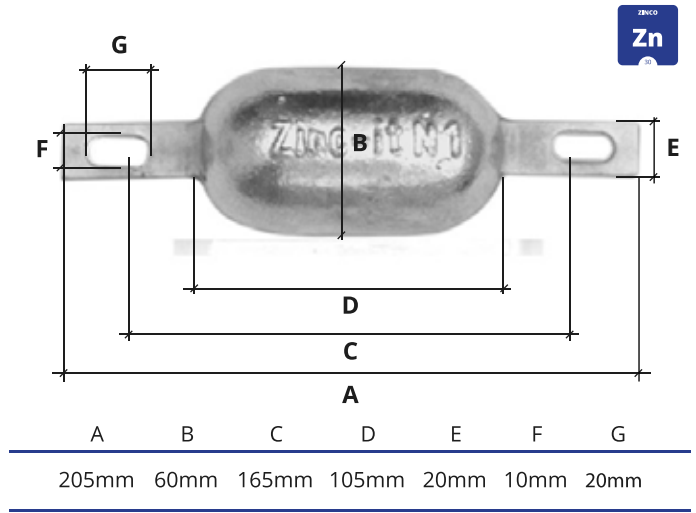
SACRIFICIAL ANODES



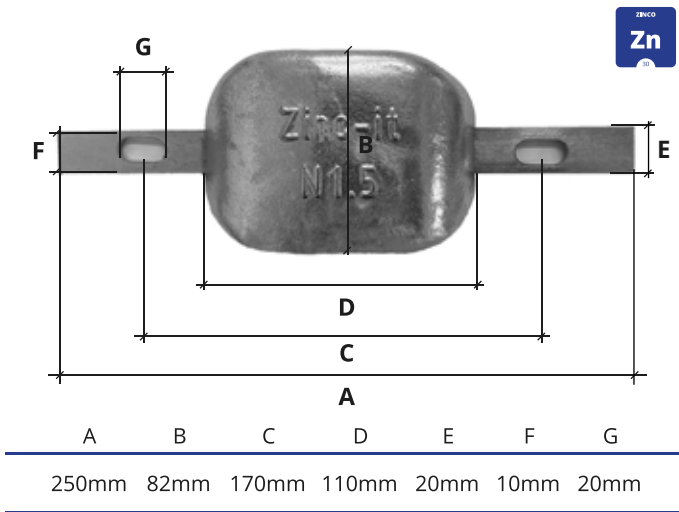
HULL ANODES | N0.6



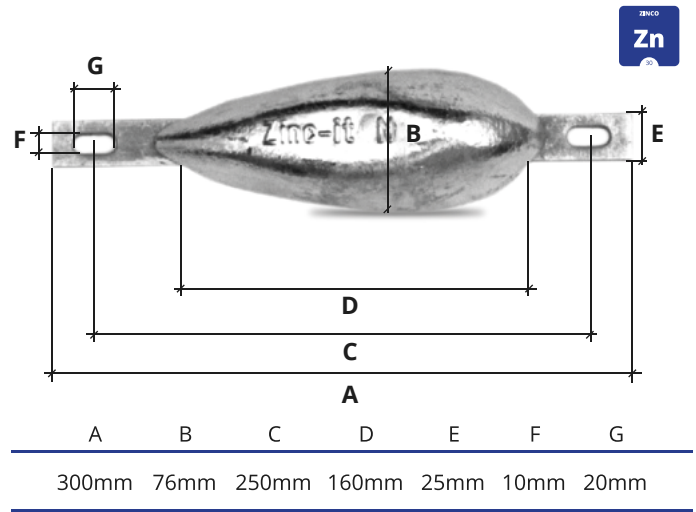
HULL ANODES | N1



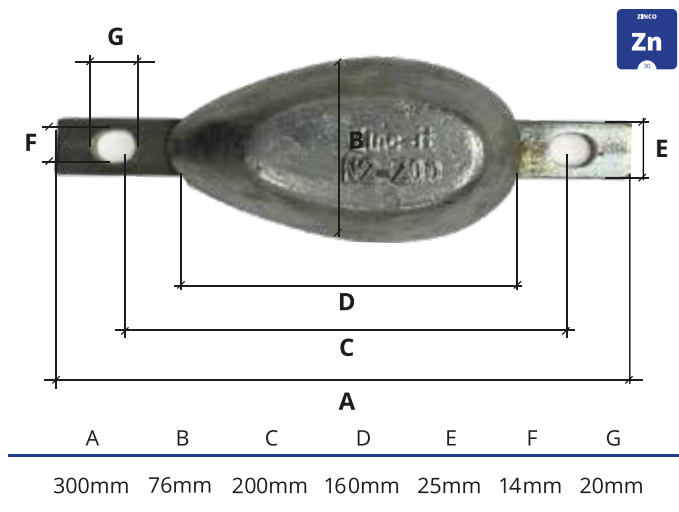
HULL ANODES | N1.5



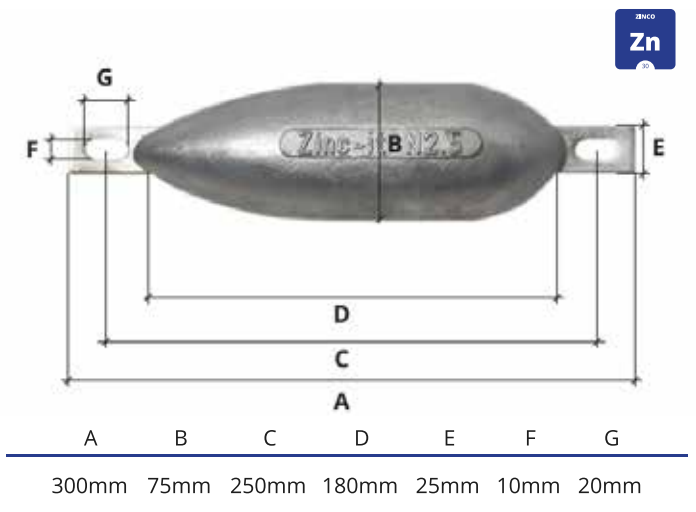
HULL ANODES | N2



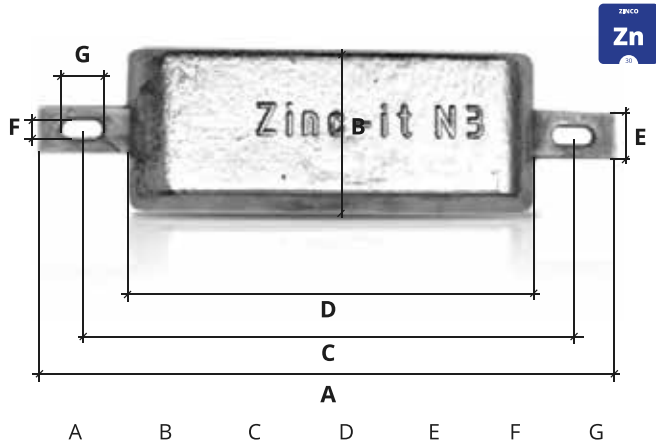
HULL ANODES | N2-200



HULL ANODES | N2.5



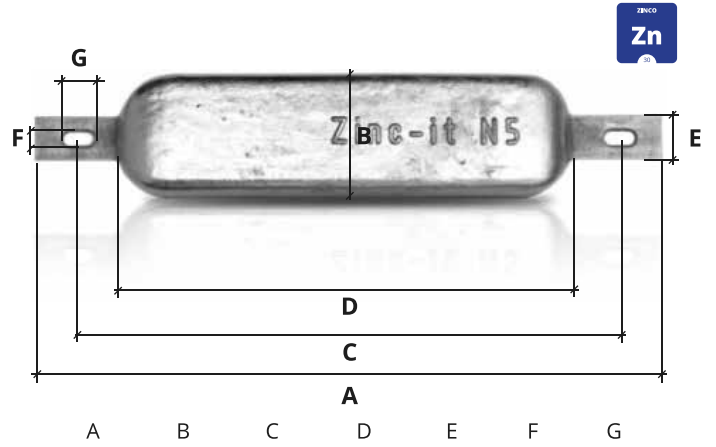
HULL ANODES | N3



A	B	C	D	E	F	G
300mm	85mm	250mm	210mm	25mm	10mm	20mm

Weight N3 - 3,2 Kg

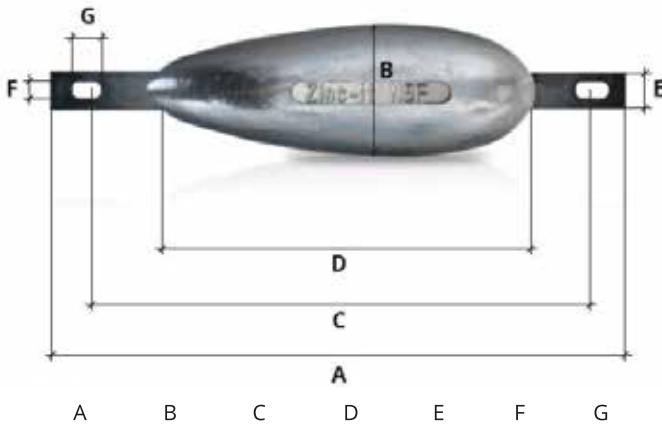
HULL ANODES | N5



A	B	C	D	E	F	G
410mm	80mm	350mm	290mm	30mm	10mm	20mm

Weight N5 - 5 Kg

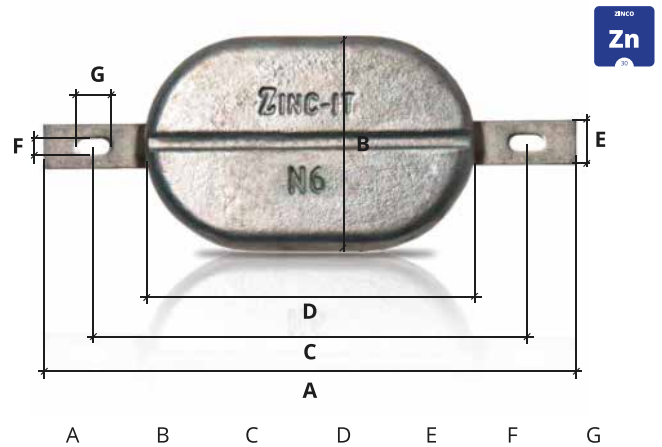
HULL ANODES | N5F



A	B	C	D	E	F	G
410mm	100mm	350mm	260mm	30mm	10mm	20

Weight N5F - 5 Kg

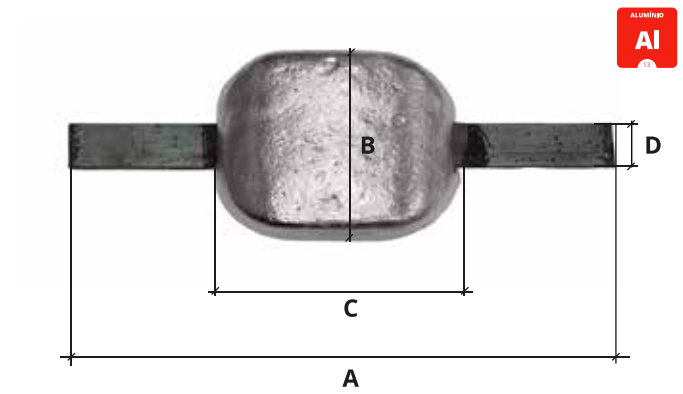
HULL ANODES | N6



A	B	C	D	E	F	G
360mm	145mm	290mm	220mm	30 mm	10mm	20mm

Weight N6 - 6 Kg

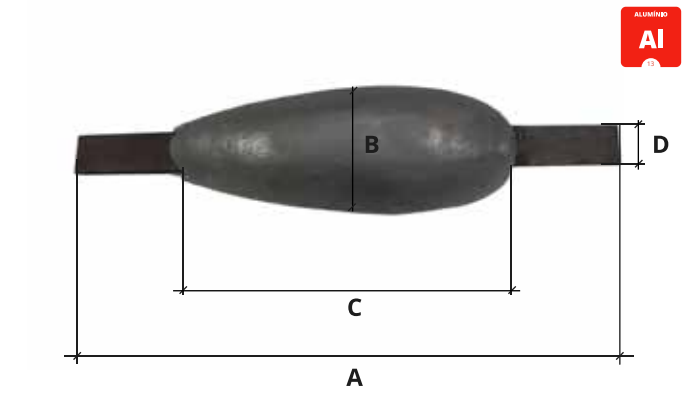
HULL ANODES | NAL 0.7



A	B	C	D
250mm	82mm	110mm	20mm

Weight NAL 0.7 - 0,7 Kg

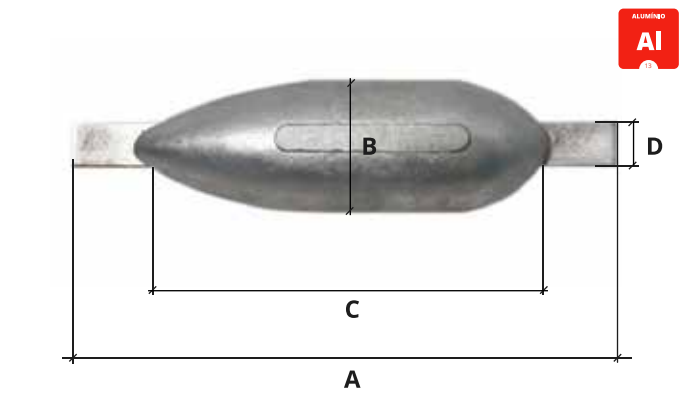
HULL ANODES | NAL 0.8



A	B	C	D
300mm	76mm	160mm	25mm

Weight NAL 0.8 - 0,8 Kg

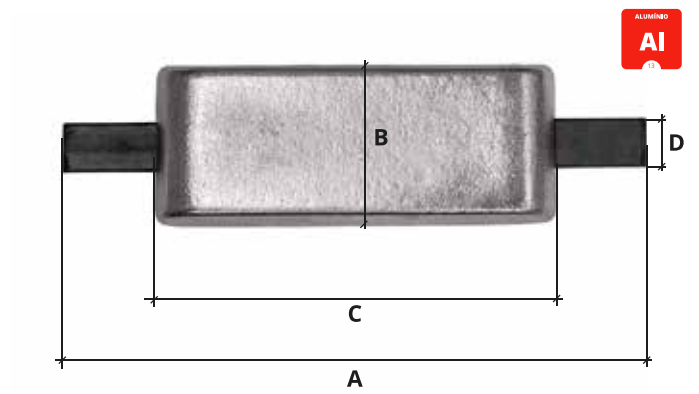
HULL ANODES | NAL 1.2



A	B	C	D
300mm	75mm	180mm	25mm

Weight NAL 1.2 - 1,2 Kg

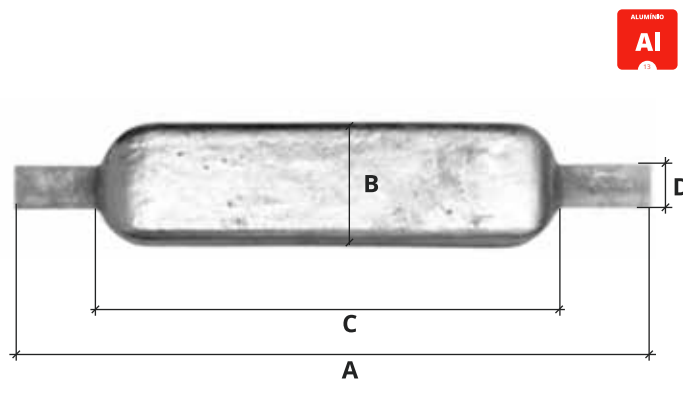
HULL ANODES | NAL 1.4



A	B	C	D
300mm	85mm	210mm	25mm

Weight NAL 1.4 - 1,4 Kg

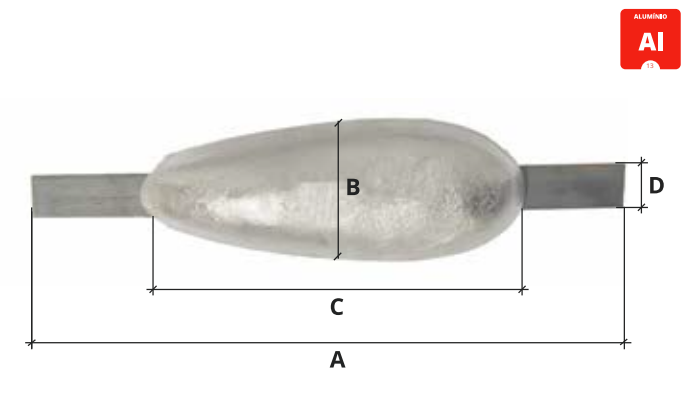
HULL ANODES | NAL 2.2



A	B	C	D
410mm	80mm	290mm	30mm

Weight NAL 2.2 - 2,2 Kg

HULL ANODES | NAL 2.2F

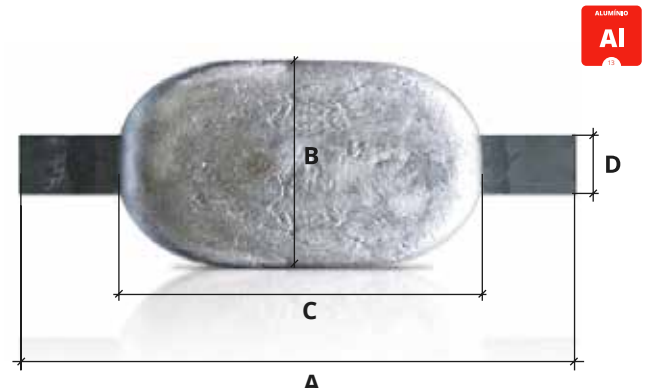
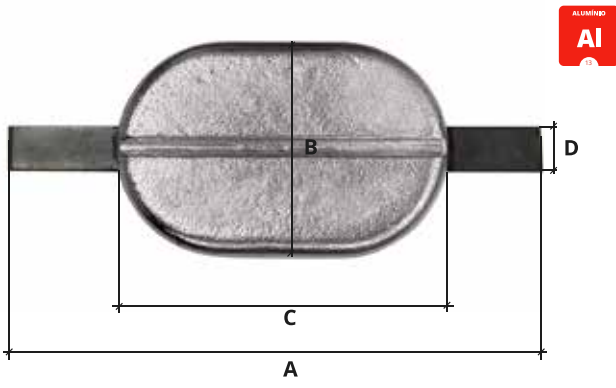


A	B	C	D
410mm	100mm	260mm	30mm

Weight NAL 2.2F - 2,2 Kg

HULL ANODES | NAL 2.6

HULL ANODES | NAL 3.2



A	B	C	D
360mm	145mm	220mm	30mm

A	B	C	D
370mm	150mm	255mm	30mm

Weight  **NAL 2.6** - 2,6 Kg

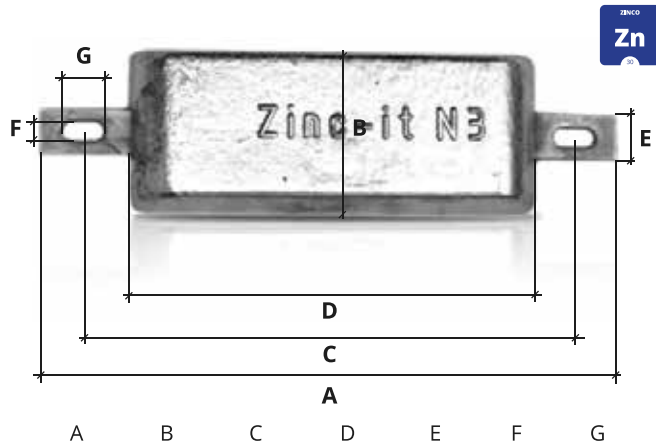
Weight  **NAL 3.2** - 3,2 Kg

MARITIME
VESSELS

SACRIFICIAL ANODES



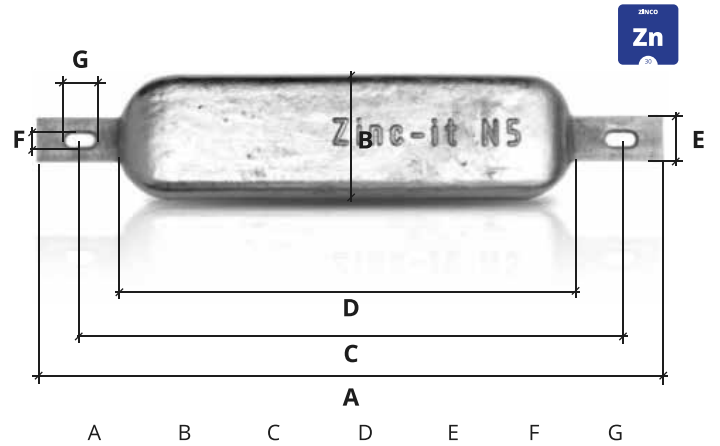
HULL ANODES | N3



A 300mm B 85mm C 250mm D 210mm E 25mm F 10mm G 20mm

Weight N3 - 3,2 Kg

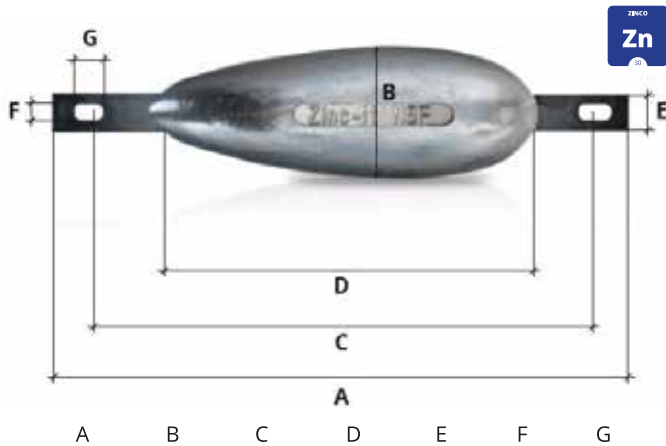
HULL ANODES | N5



A 410mm B 80mm C 350mm D 290mm E 30mm F 10mm G 20mm

Weight N5 - 5 Kg

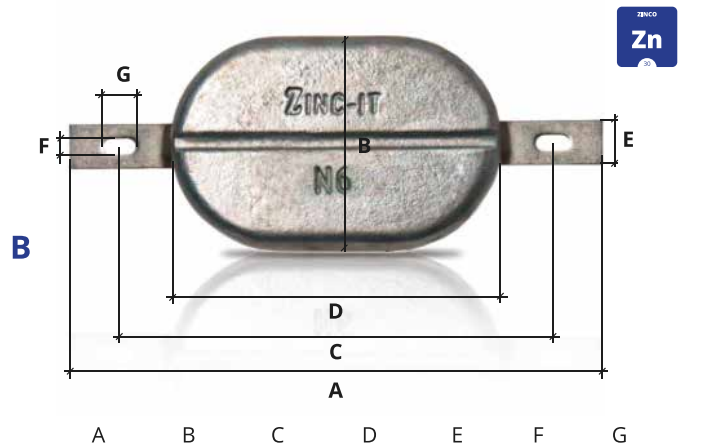
HULL ANODES | N5F



A 410mm B 100mm C 350mm D 260mm E 30mm F 10mm G 20mm

Weight N5F - 5 Kg

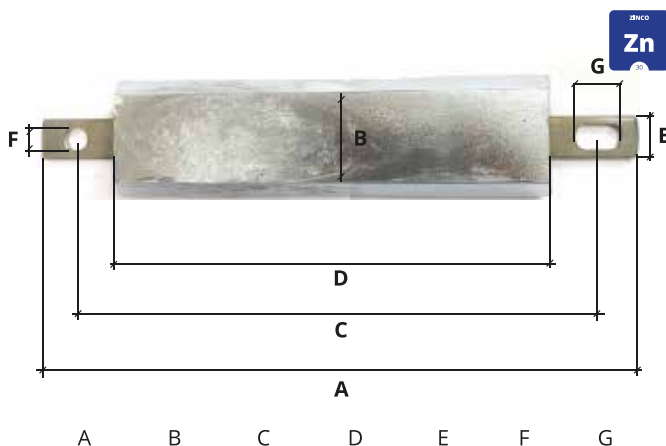
HULL ANODES | N6



A 360mm B 145mm C 290mm D 220mm E 30mm F 10mm G 20mm

Weight N6 - 6 Kg

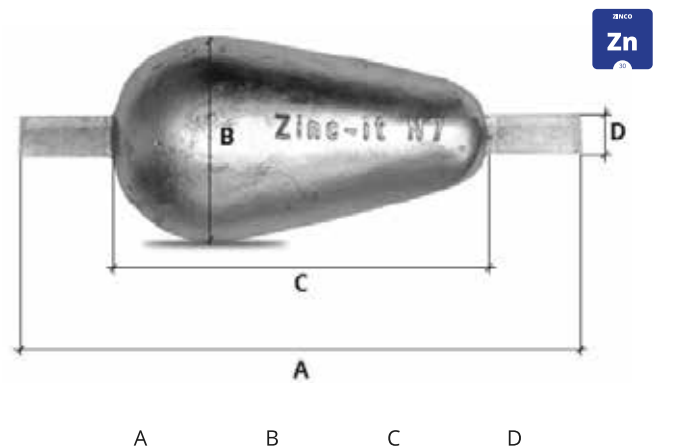
HULL ANODES | N6.6



A 440mm B 90mm C 385mm D 320mm E 30mm F 18mm G 33mm

Weight N6.6 - 6,6 Kg

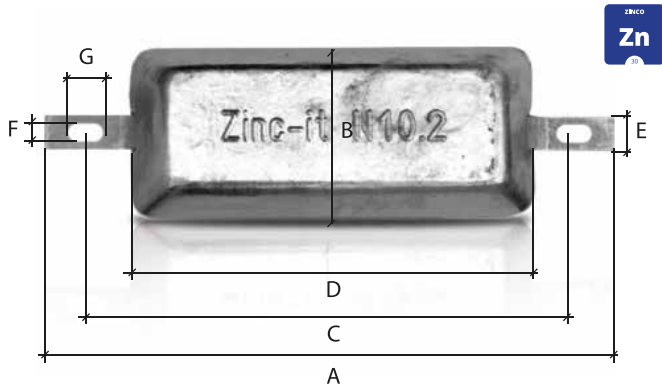
HULL ANODES | N7



A 410mm B 150mm C 270mm D 30mm

Weight N7 - 7 Kg

HULL ANODES | N10.2



A	B	C	D	E	F	G
500mm	150mm	400mm	340mm	30mm	14mm	20mm

Weight N10.2 - 10,2 Kg

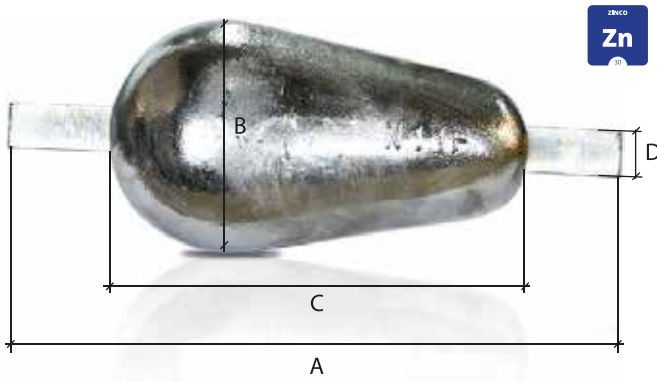
HULL ANODES | N11



A	B	C	D
500mm	150mm	345mm	30mm

Weight N11 - 11 Kg

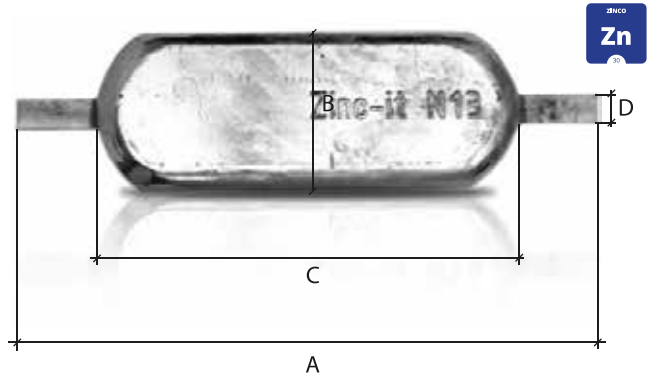
HULL ANODES | N11F



A	B	C	D
410mm	150mm	280mm	30mm

Weight N11F - 11 Kg

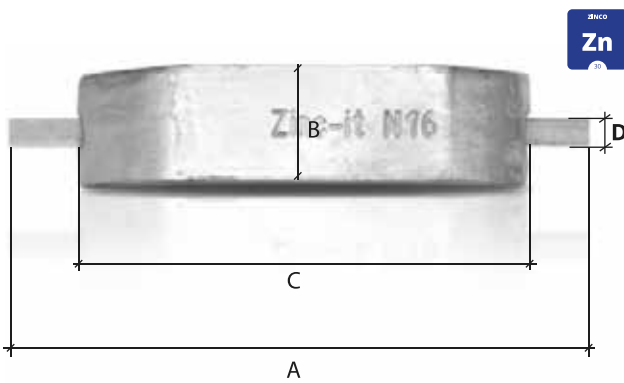
HULL ANODES | N13



A	B	C	D
560mm	150mm	400mm	30mm

Weight N13 - 13 Kg

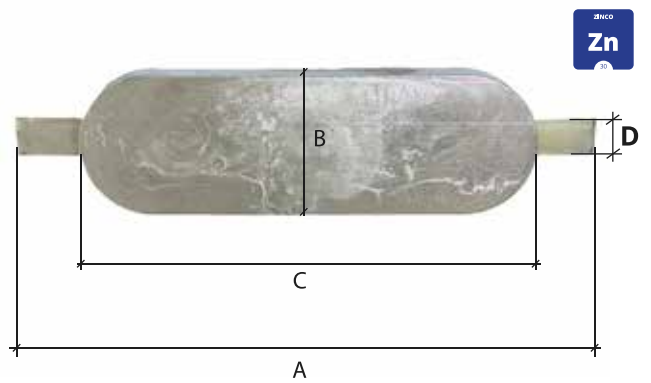
HULL ANODES | N16



A	B	C	D
595mm	115mm	455mm	30mm

Weight N16 - 16 Kg

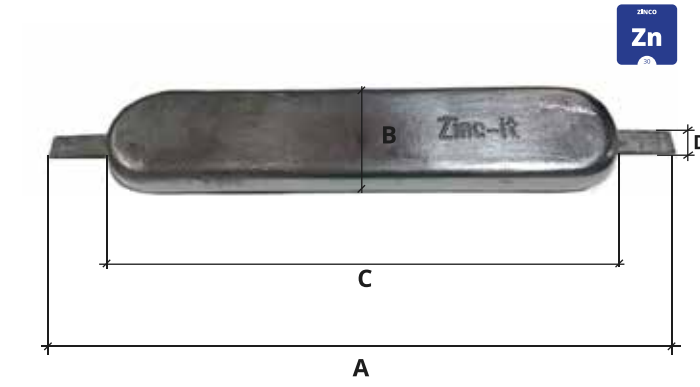
HULL ANODES | N20



A	B	C	D
620mm	150mm	478mm	40mm

Weight N20 - 20 Kg

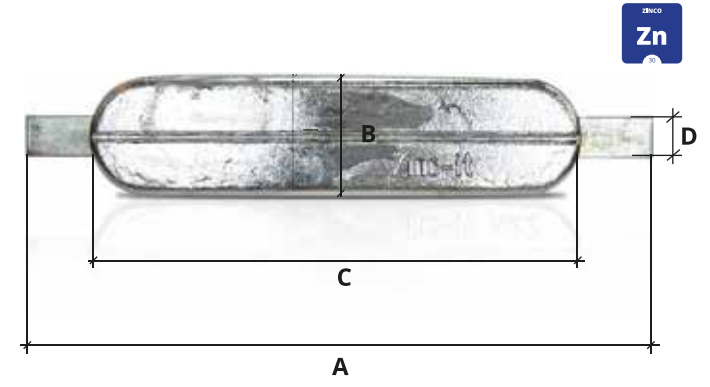
HULL ANODES | N21



A	B	C	D
750mm	120mm	590mm	30mm

Weight  N21 - 21 Kg

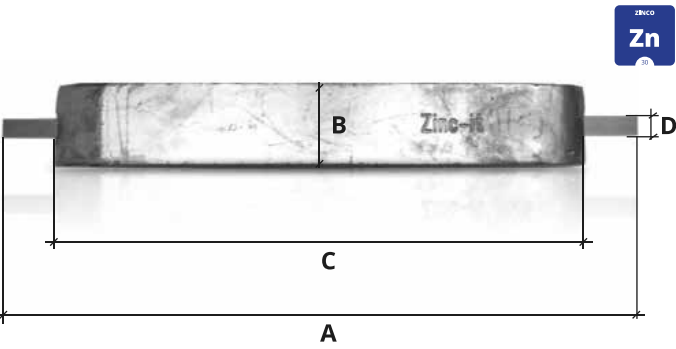
HULL ANODES | N22



A	B	C	D
700mm	135mm	540mm	45mm

Weight  N22 - 22 Kg

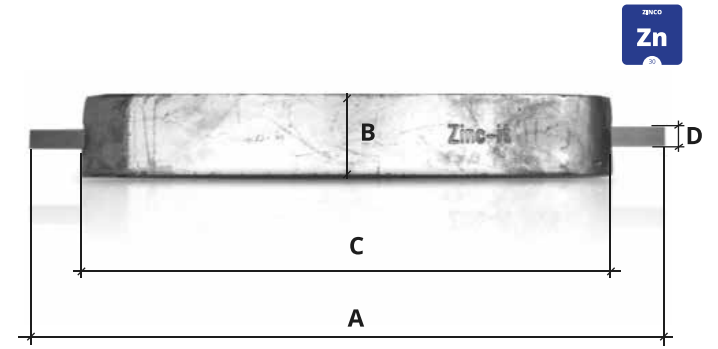
HULL ANODES | N26



A	B	C	D
960mm	120mm	780mm	40mm

Weight  N26 - 26 Kg

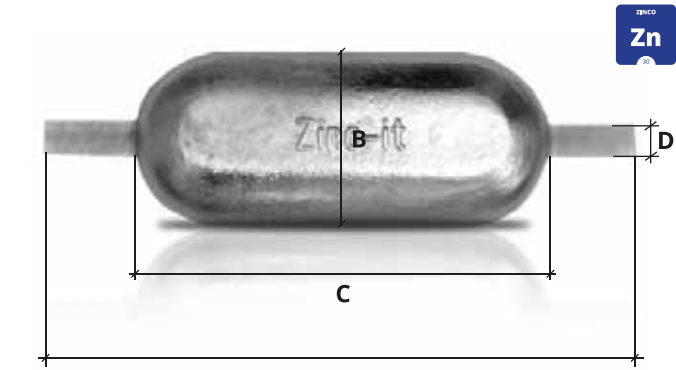
HULL ANODES | N33



A	B	C	D
960mm	120mm	780mm	40mm

Weight  N33 - 33 Kg

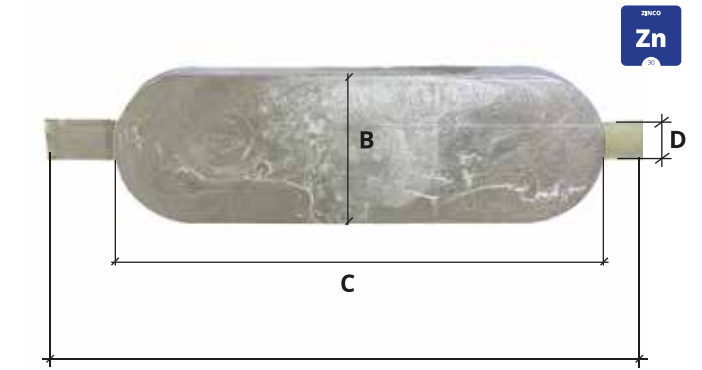
HULL ANODES | N40



A	B	C	D
770mm	165mm	570mm	40mm

Weight  N40 - 40 Kg

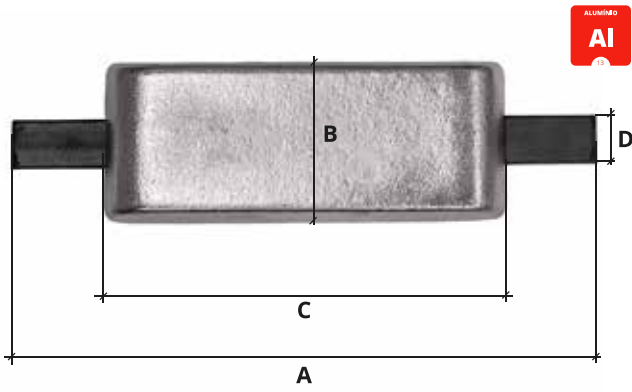
HULL ANODES | N60



A	B	C	D
880mm	180mm	700mm	50mm

Weight  N60 - 60 Kg

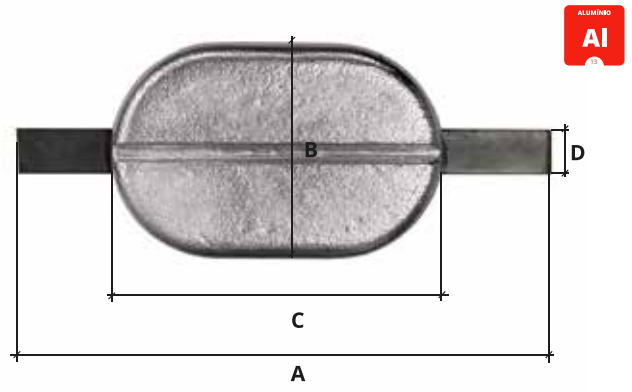
HULL ANODES | NAL 1.4



A	B	C	D
300mm	85mm	210mm	25mm

Weight NAL 1.4 - 1,4 Kg

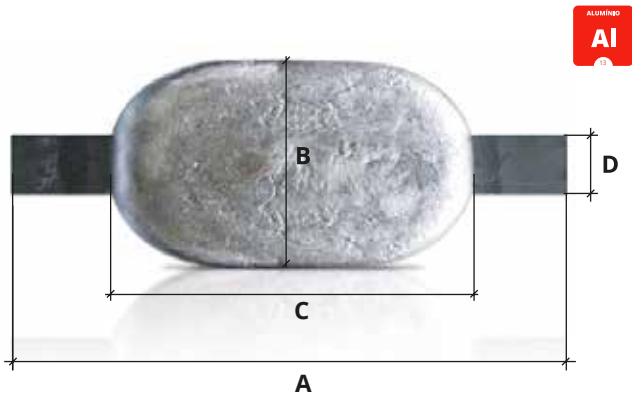
HULL ANODES | NAL 2.6



A	B	C	D
360mm	145mm	220mm	30 mm

Weight NAL 2.6 - 2,6 Kg

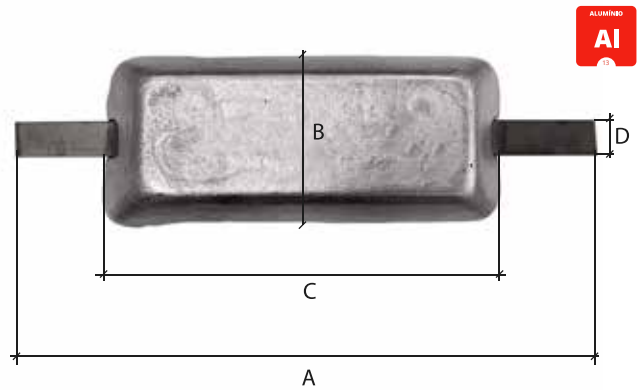
HULL ANODES | NAL 3.2



A	B	C	D
370mm	150mm	255mm	30mm

Weight NAL 3.2 - 3,2 Kg

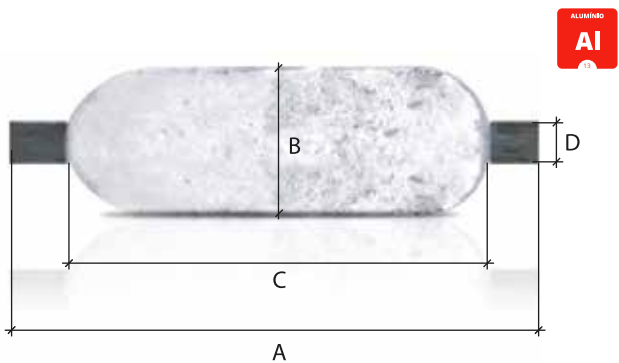
HULL ANODES | NAL 4.2



A	B	C	D
500mm	150mm	340mm	30mm

Weight NAL 4.2 - 4,2 Kg

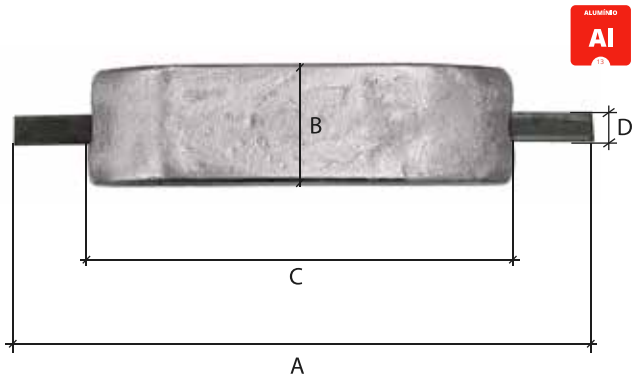
HULL ANODES | NAL 5



A	B	C	D
500mm	150mm	400mm	30mm

Weight NAL 5 - 5 Kg

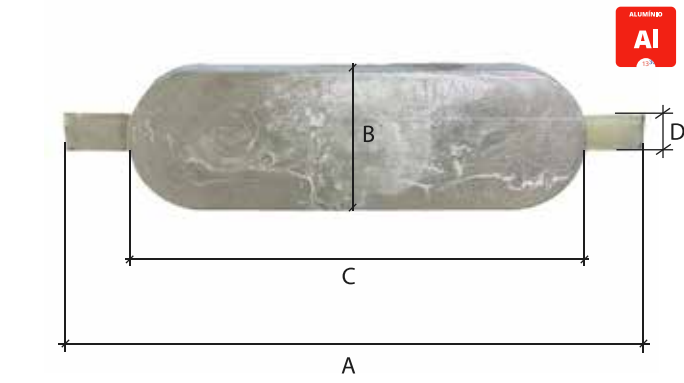
HULL ANODES | NAL 6.4



A	B	C	D
595mm	115mm	455mm	30mm

Weight NAL 6.4 - 6,4 Kg

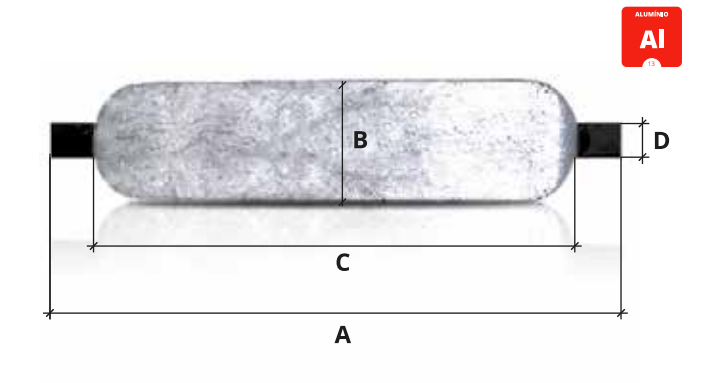
HULL ANODES | NAL 8



A	B	C	D
620mm	150mm	478mm	40mm

Weight  **NAL 8** - 8 Kg

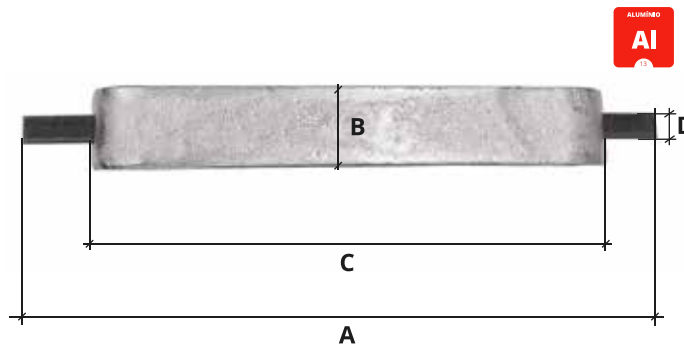
HULL ANODES | NAL 9.2



A	B	C	D
650mm	135mm	540mm	40mm

Weight  **NAL 9.2** - 9,2 Kg

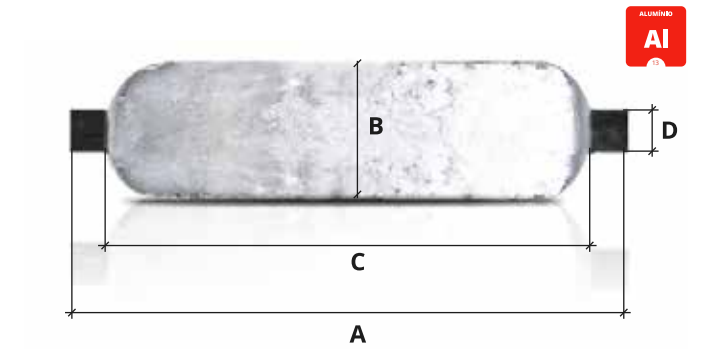
HULL ANODES | NAL 11.2



A	B	C	D
960mm	120mm	780mm	40mm

Weight  **NAL 11.2** - 11,2 Kg

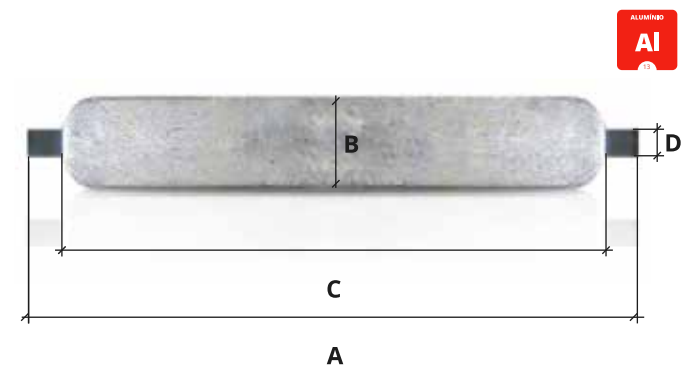
HULL ANODES | NAL 11.6



A	B	C	D
650mm	130mm	535mm	50mm

Weight  **NAL 11.6** - 11,6 Kg

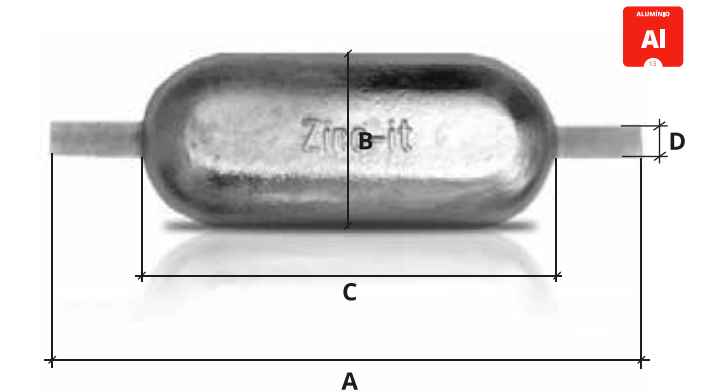
HULL ANODES | NAL 15.4



A	B	C	D
1015mm	130mm	920mm	50mm

Weight  **NAL 15.4** - 15,4 Kg

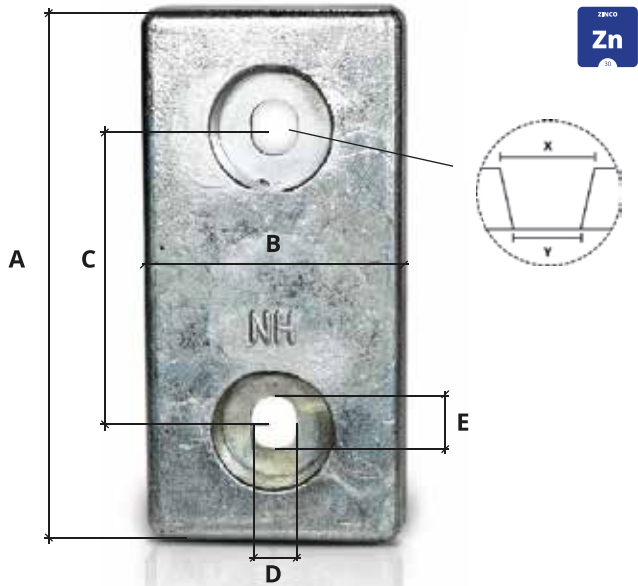
HULL ANODES | NAL 16.3



A	B	C	D
770mm	165mm	570mm	40mm

Weight  **NAL 16.3** - 16,3 Kg

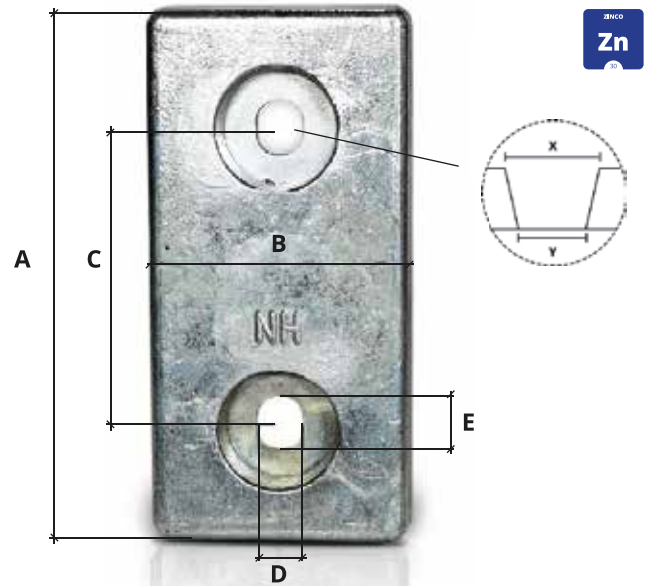
HULL RUDDER | NH1.2



A	B	C	D	E	X	Y
145mm	65mm	75mm	16mm	20mm	34mm	30mm

Weight NH1.2 - 1,2 Kg

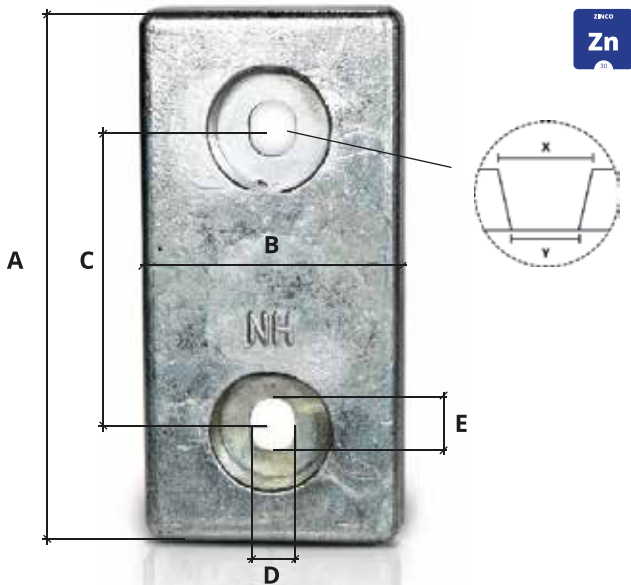
HULL RUDDER | NH2.5



A	B	C	D	E	X	Y
195mm	95mm	110mm	17mm	20mm	44mm	40mm

Weight NH2.5 - 2,5 Kg

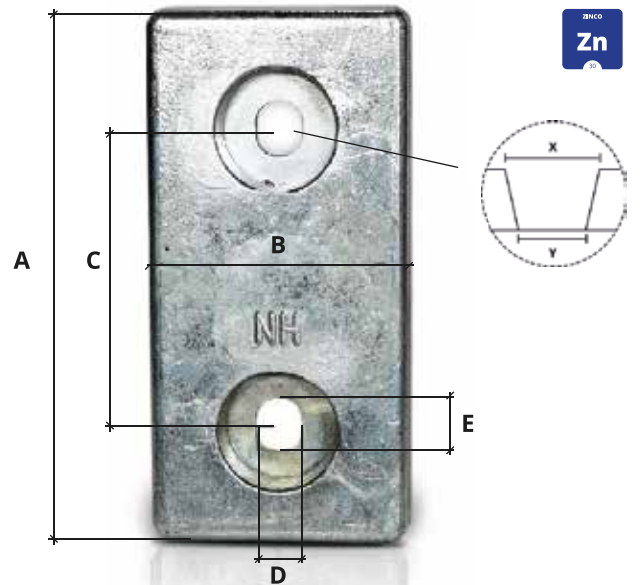
HULL RUDDER | NH3.5



A	B	C	D	E	X	Y
195mm	95mm	110mm	17mm	20mm	44mm	40mm

Weight NH3.5 - 3,5 Kg

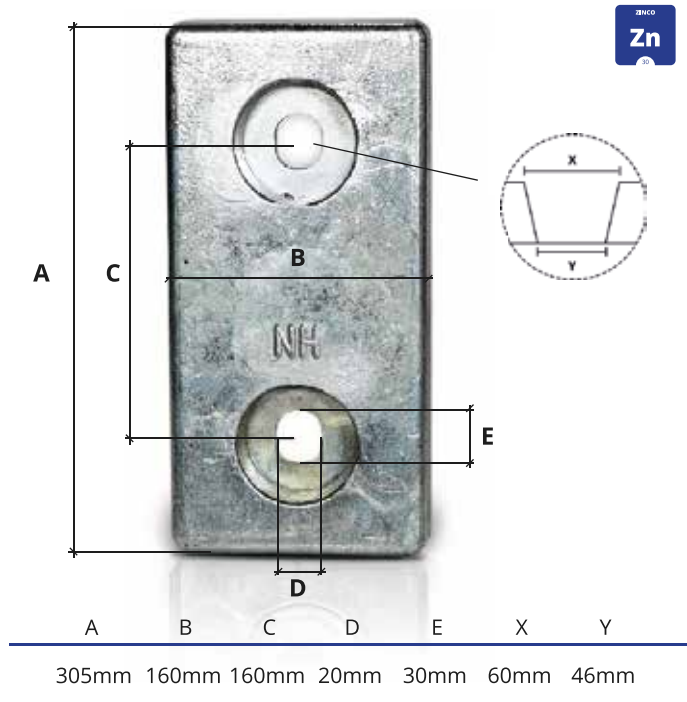
HULL RUDDER | NH6



A	B	C	D	E	X	Y
295mm	145mm	160mm	20mm	30mm	60mm	46mm

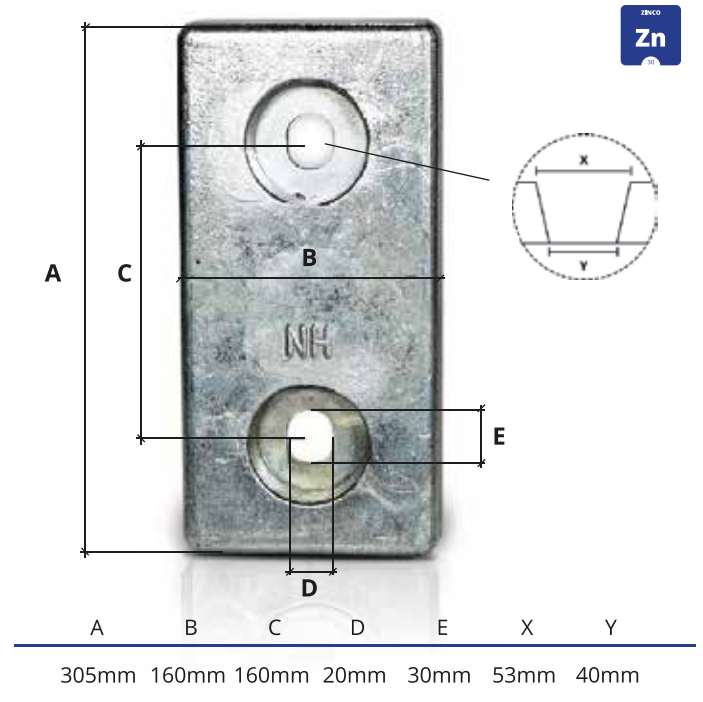
Weight NH6 - 6 Kg

HULL RUDDER | NH9



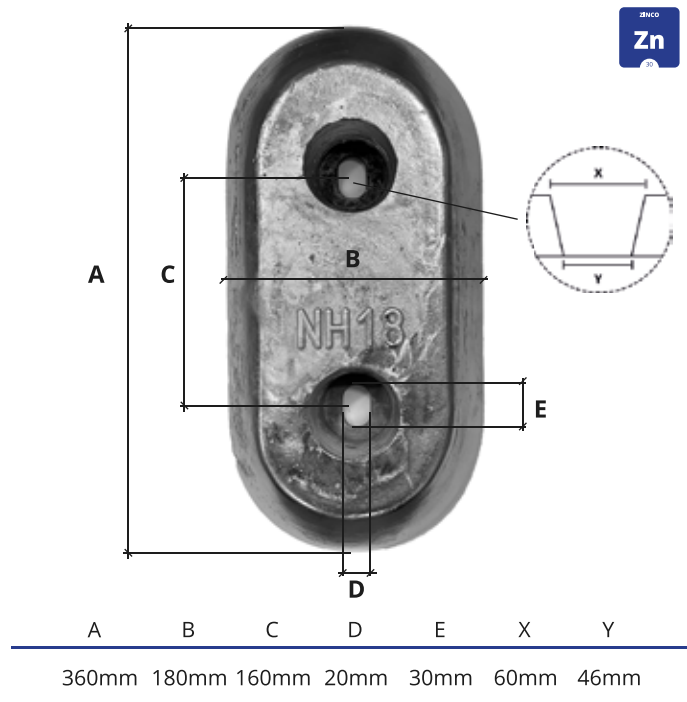
Weight NH9 - 9 Kg

HULL RUDDER | NH12



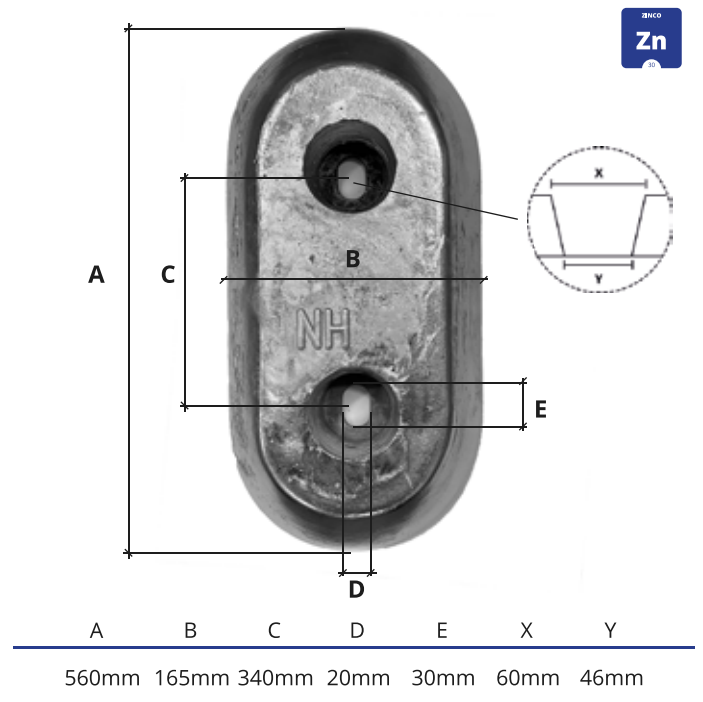
Weight NH12 - 12 Kg

HULL RUDDER | NH18



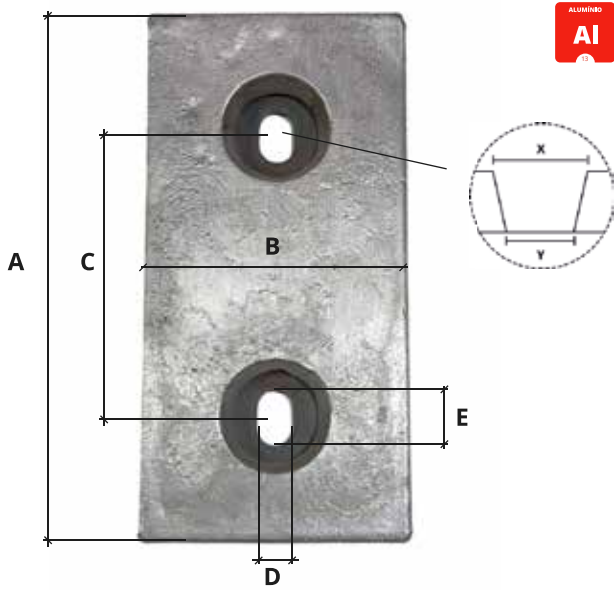
Weight NH18 - 18 Kg

HULL RUDDER | NH40



Weight NH40 - 40 Kg

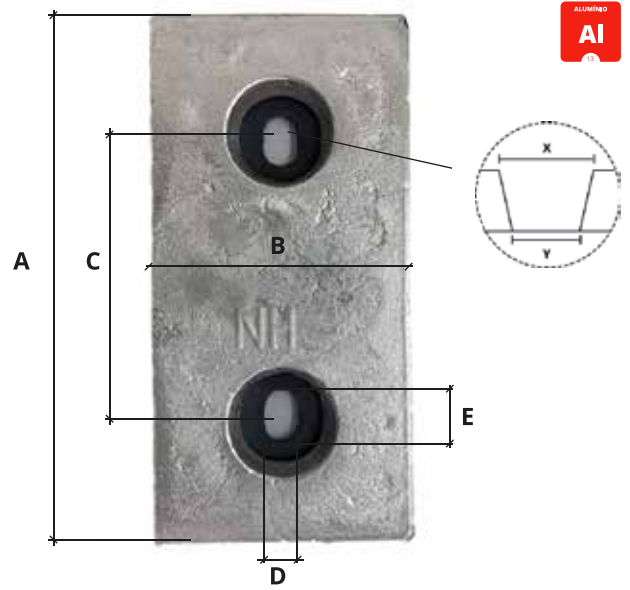
HULL RUDDER | NHAL 2.6



A	B	C	D	E	X	Y
295mm	145mm	160mm	20mm	30mm	60mm	46mm

Weight  NHAL 2.6 - 2,6 Kg

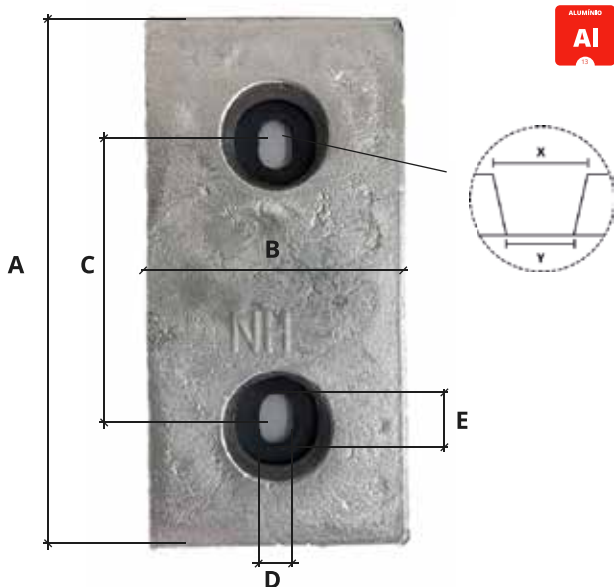
HULL RUDDER | NHAL 3.9



A	B	C	D	E	X	Y
305mm	160mm	160mm	20mm	30mm	60mm	46mm

Weight  NHAL 3.9 - 3,9 Kg

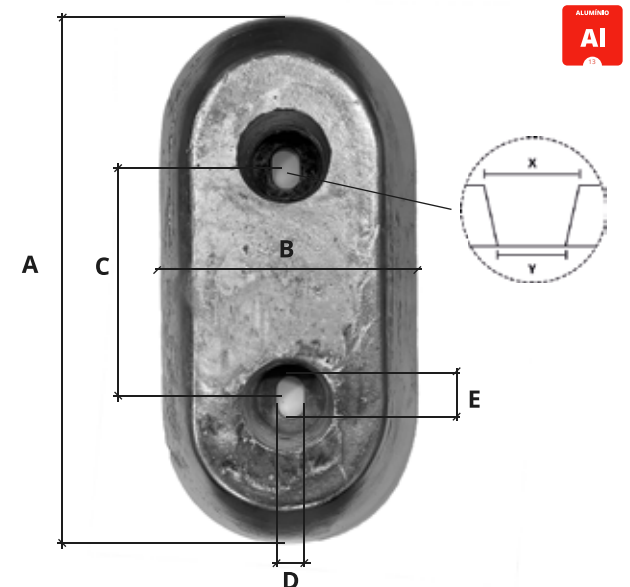
HULL RUDDER | NHAL 5.1



A	B	C	D	E	X	Y
305mm	160mm	160mm	20mm	30mm	53mm	40mm

Weight  NHAL 5.1 - 5,1 Kg

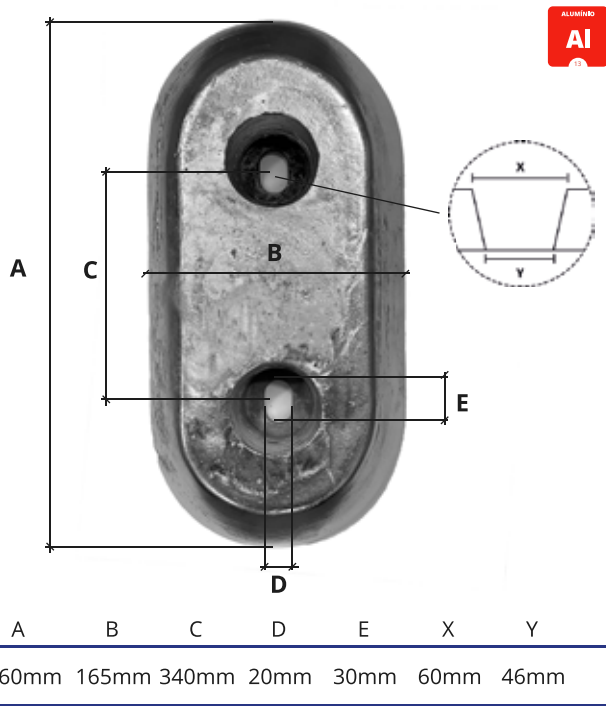
HULL RUDDER | NHAL 7.2



A	B	C	D	E	X	Y
360mm	180mm	160mm	20mm	30mm	60mm	46mm

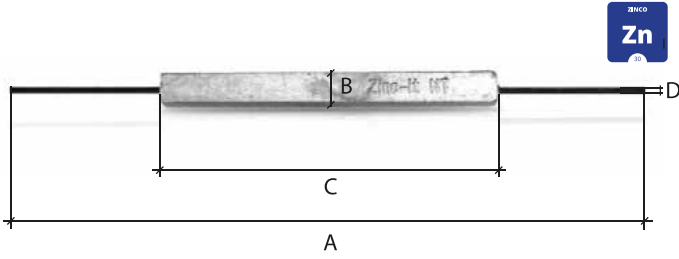
Weight  NHAL 7.2 - 7,2 Kg

HULL RUDDER | NHAL 16



Weight  NHAL 16 - 16 Kg

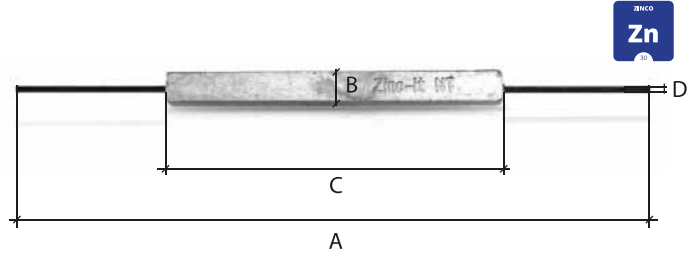
TANK ANODES | NT6



A	B	C	D
695mm	60mm	290mm	Ø12mm

Weight NT6 - 6 Kg

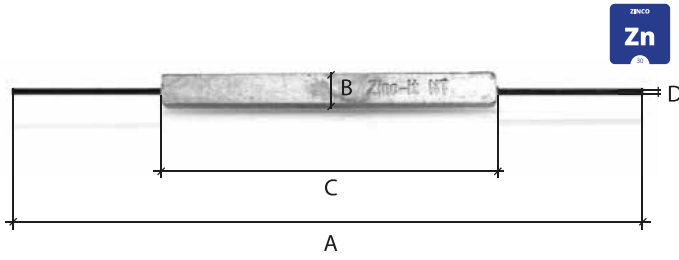
TANK ANODES | NT8



A	B	C	D
800mm	60mm	400mm	Ø12mm

Weight NT8 - 8 Kg

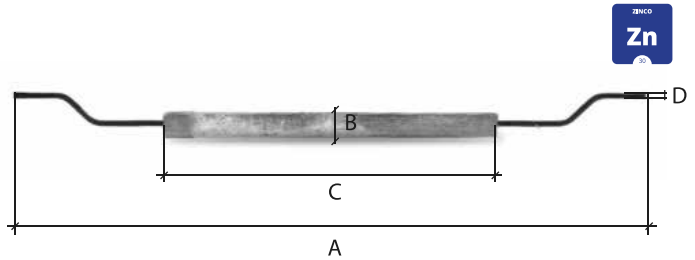
TANK ANODES | NT10



A	B	C	D
1210mm	65mm	610mm	Ø12mm

Weight NT10 - 10 Kg

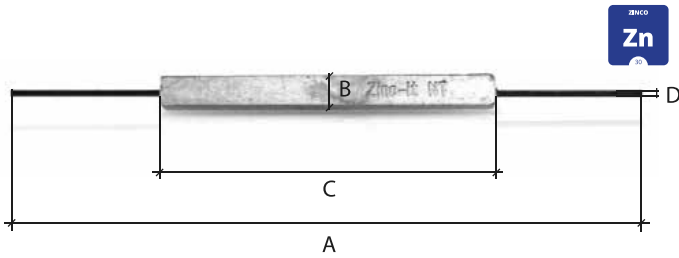
TANK ANODES | NTF12



A	B	C	D
1210mm	65mm	610mm	Ø12mm

Weight NTF12 - 12 Kg

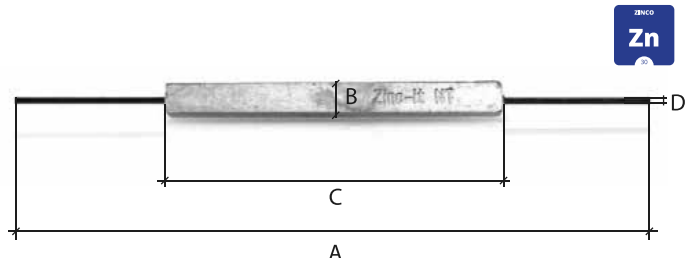
TANK ANODES | NT12



A	B	C	D
1210mm	65mm	610mm	Ø12mm

Weight NT12 - 12 Kg

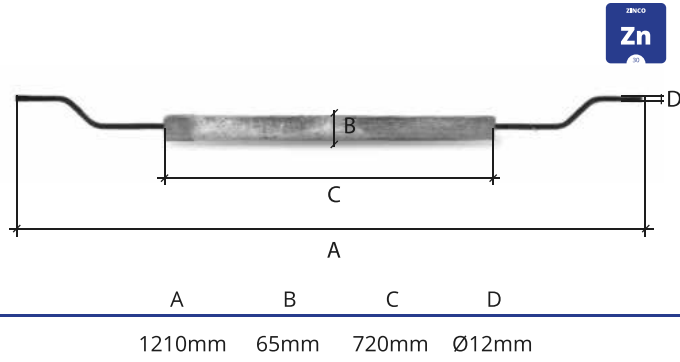
TANK ANODES | NT18



A	B	C	D
740mm	65mm	515mm	Ø12mm

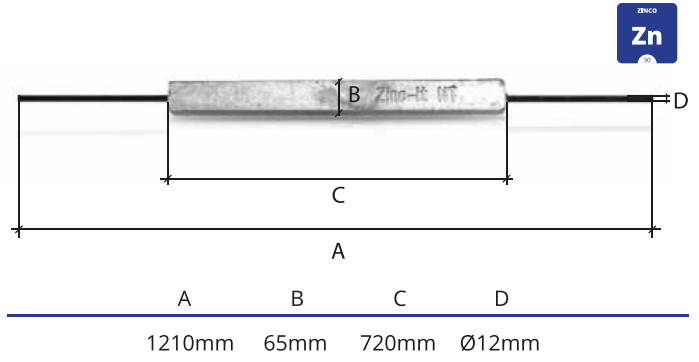
Weight NT18 - 18 Kg

TANK ANODES | NTF22



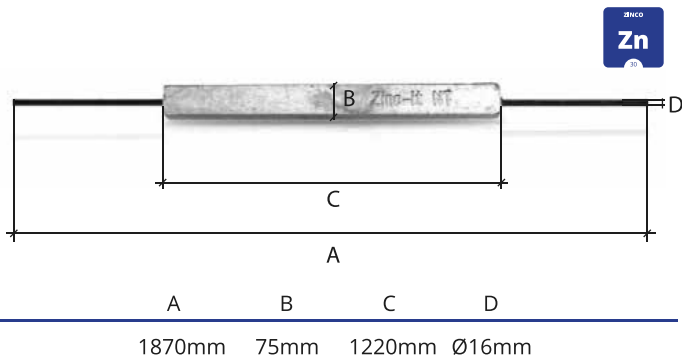
Weight  NTF22 - 22 Kg

TANK ANODES | NT22



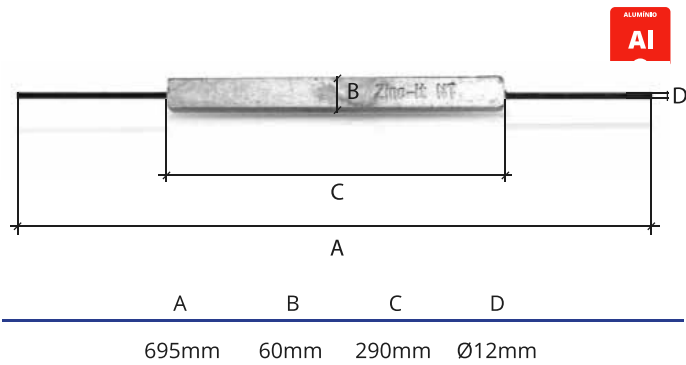
Weight  NT22 - 22 Kg

TANK ANODES | NT50



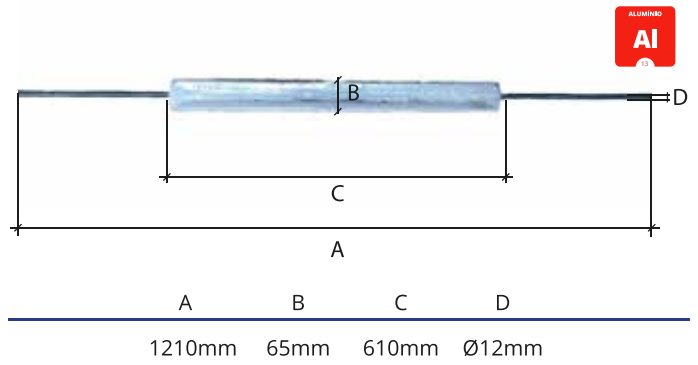
Weight  NT50 - 50 Kg

TANK ANODES | NTAL 2.7



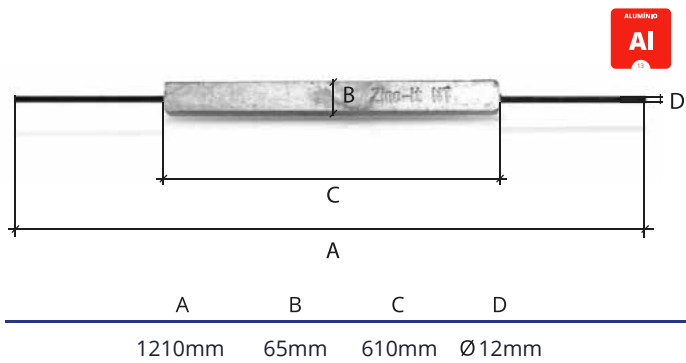
Weight **AI** NTAL 2.7 - 2,7 Kg

TANK ANODES | NTAL 4.5



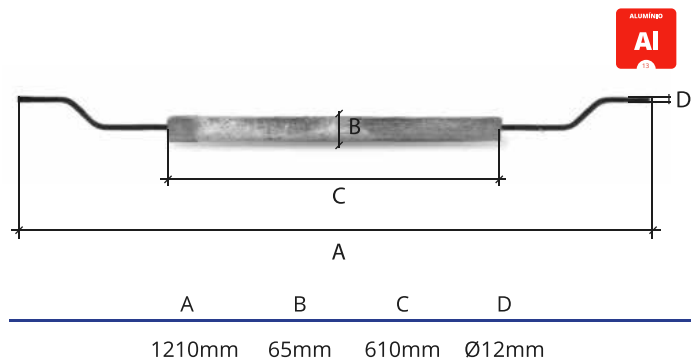
Weight **AI** NTAL 4.5 - 4,5 Kg

TANK ANODES | NTAL 5.3



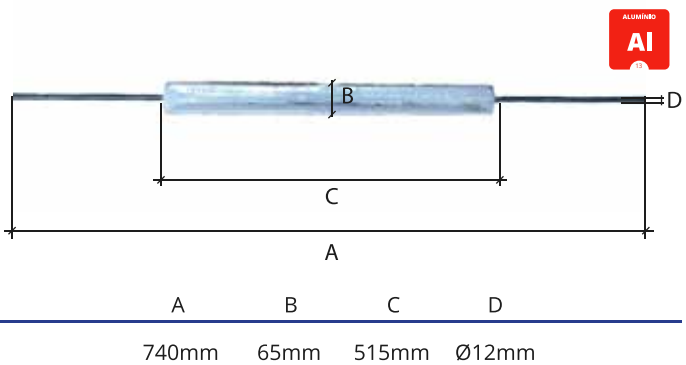
Weight **AI** NTAL 5.3 - 5,3 Kg

TANK ANODES | NTFAL 5.3



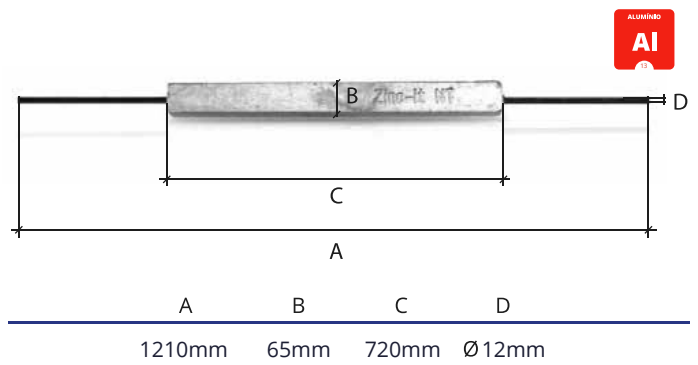
Weight **AI** NTFAL 5.3 - 5,3 Kg

TANK ANODES | NTAL 7.4



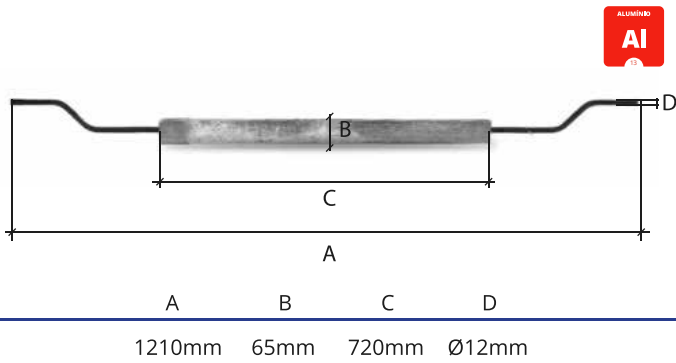
Weight **AI** NTAL 7.4 - 7,4 Kg

TANK ANODES | NTAL 9.2



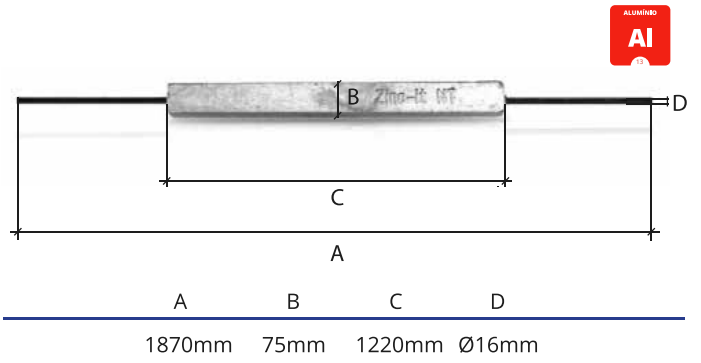
Weight **AI** NTAL 9.2 - 9,2 Kg

TANK ANODES | NTFAL 9.2



Weight  NTFAL 9.2 - 9,2 Kg

TANK ANODES | NTAL 20.4



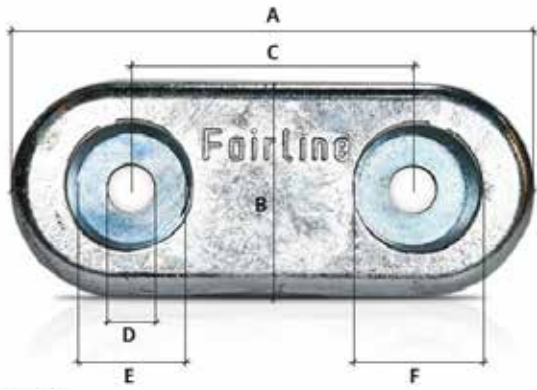
Weight  NTAL 20.4 - 20,4 Kg

NAUTICAL
VESSELS

SACRIFICIAL ANODES



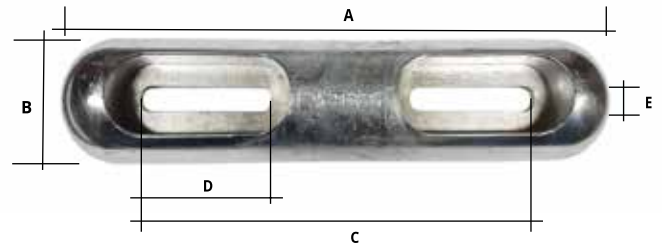
FAIRLINE ANODES | FAIRLINE 1



A	B	C	D	E	F
150mm	60mm	80mm	13mm	25mm	31mm

Weight FAIRLINE 1 - 1,2 Kg

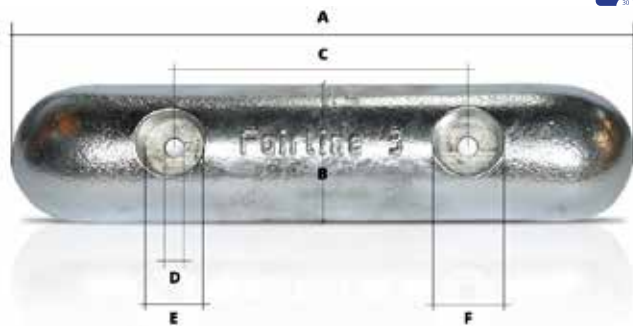
FAIRLINE ANODES | FAIRLINE 2.5



A	B	C	D	E
320mm	64mm	230mm	73mm	12mm

Weight FAIRLINE 2.5 - 2,5 Kg

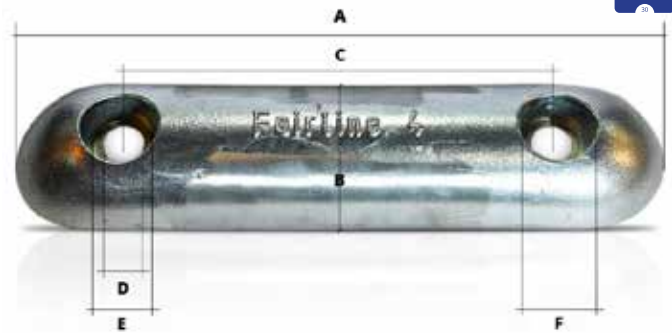
FAIRLINE ANODES | FAIRLINE 3



A	B	C	D	E	F
300mm	65mm	140mm	10mm	24mm	27mm

Weight FAIRLINE 3 - 3 Kg

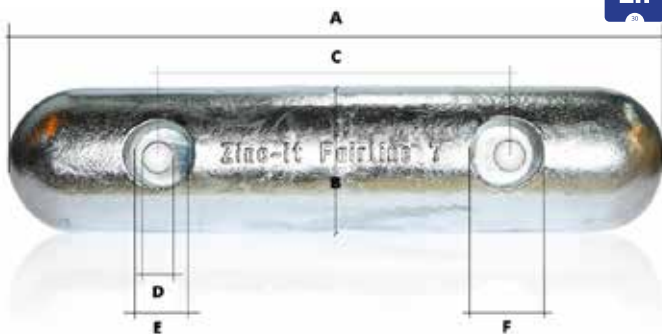
FAIRLINE ANODES | FAIRLINE 4



A	B	C	D	E	F
307mm	75mm	200mm	20mm	30mm	47mm

Weight FAIRLINE 4 - 3,9 Kg

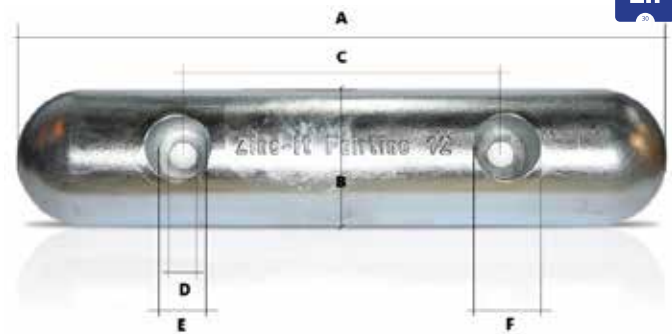
FAIRLINE ANODES | FAIRLINE 7



A	B	C	D	E	F
435mm	95mm	230mm	20mm	37mm	72mm

Weight FAIRLINE 7 - 7 Kg

FAIRLINE ANODES | FAIRLINE 12



A	B	C	D	E	F
475mm	100mm	230mm	20mm	37mm	72mm

Weight FAIRLINE 12 - 12 Kg

SHAFT ANODES | BARRELS



Model	Diameter	Weight	Model	Diameter	Weight
NNB25	Ø 25	0,40 Kg	NNB50	Ø 50	1,26 Kg
NNB30	Ø 30	0,40 Kg	NNB55	Ø 55	1,09 Kg
NNB32	Ø 32	0,45 Kg	NNB60	Ø 60	1,85 Kg
NNB35	Ø 35	0,50 Kg	NNB70	Ø 70	2,65 Kg
NNB40	Ø 40	1,15 Kg	NNB70	Ø 70	2,65 Kg
NNB45	Ø 45	1,15 Kg	NNB195	Ø 195	27,8 Kg

SHAFT ANODES | THIN COLLAR



Model	Diameter	Weight
NNC19	Ø 19	0,20 Kg
NNC22	Ø 22	0,18 Kg
NNC25	Ø 25	0,16 Kg
NNC30	Ø 30	0,20 Kg
NNC35	Ø 35	0,24 Kg
NNC40	Ø 40	0,45 Kg
NNC50	Ø 50	0,69 Kg

PROPELLER ANODES | ROUND CONE



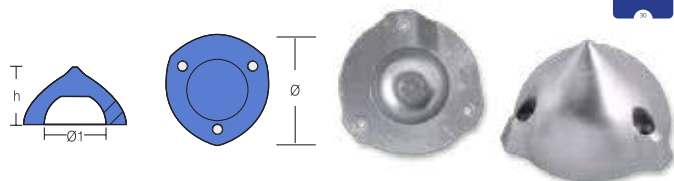
Model	Diameter	Weight
NHR25	Ø 25	0,11 Kg
NHR30	Ø 30	0,25 Kg
NHR35	Ø 35	0,39 Kg
NHR40	Ø 40	0,84 Kg
NHR45	Ø 45	1,13 Kg
NHR50	Ø 50	1,20 Kg

PROPELLER ANODES | HEXAGONAL CONE



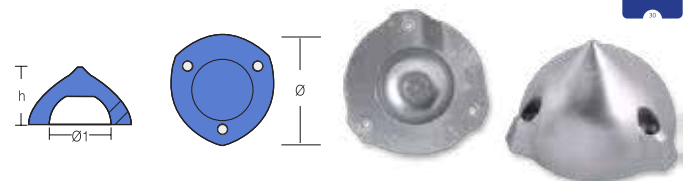
Model	Diameter	Weight
NHH25	Ø 25	0,12 Kg
NHH30	Ø 30	0,26 Kg
NHH35	Ø 35	0,35 Kg
NHH40	Ø 40	0,47 Kg
NHH45	Ø 45	0,81 Kg
NHH50	Ø 50	1,02 Kg

PROPELLER ANODES | MAXPROP



Model	Ø	Ø1	h	Weight
NMAX-52	100	52	61	0,89 Kg

PROPELLER ANODES | MAXPROP



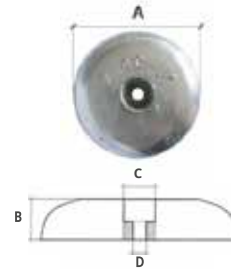
Model	Ø	Ø1	h	Weight
NMAX-81	120	81	78	1,4 Kg

PROPELLER ANODES | NJP 60 - NJP 80



Model	Ø1	Ø2	Height	Weight
NJP 60	8	60	26	0,36 Kg
NJP 80	10	80	33	0,75 Kg

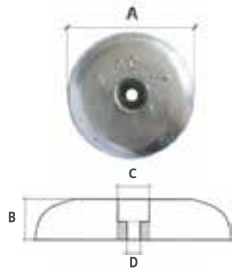
PROPELLER ANODES | ND8



A	B	C	D
80mm	16mm	20mm	9mm

Weight ND8 - 0,42 Kg

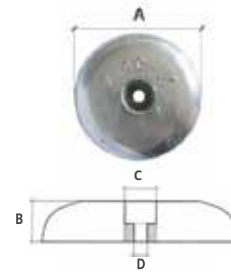
SINGLE DISC ANODES | ND10



A	B	C	D
100mm	19mm	20mm	9mm

Weight ND10 - 0,82 Kg

SINGLE DISC ANODES | ND12



A	B	C	D
120mm	19mm	20mm	9mm

Weight ND12 - 1,20 Kg

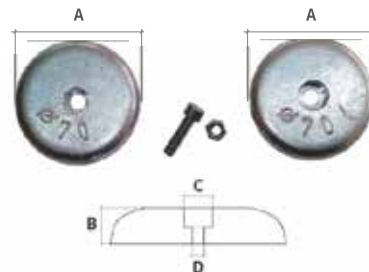
SINGLE DISC ANODES | ND13



A	B	C	D
130mm	31mm	51mm	14mm

Weight ND13 - 1,60 Kg

DOUBLE SIDE DISC ANODES | NDP70

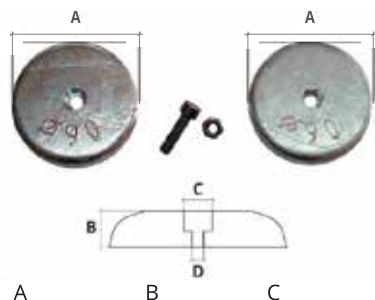


A	B	C	D
70mm	8mm	13mm 15,5mm	9mm

Weight NDP70 - 0,45 Kg

Includes: Screw M8X30 Thread M8

DOUBLE SIDE DISC ANODES | NDP90

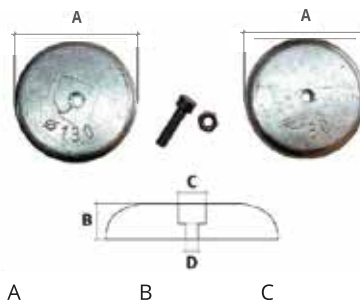


A	B	C	D
90mm	8mm	15,5mm 13mm	9mm

Weight NDP90 - 0,70 Kg

Includes: Screw M8X30 Thread M8

DOUBLE SIDE DISC ANODES | NDP130



A	B	C	D
130mm	8mm	15,5mm 13mm	9mm

Weight NDP130 - 1,30 Kg

Includes: Screw M8X30 Thread M8

DISC ANODES | ND15



Ø1	Hole Ø2	Thickness
150mm	10mm	25mm

Weight ND15 - 3 Kg

DISC ANODES | ND22



Diameter	Thickness	Hole	Bolt housing
220mm	25mm	Ø11	Ø45x12

Weight ND22 - 6,5 Kg

NPL ANODES - PLATES | NPL3



L	A	Thickness
300mm	150mm	10

Weight NPL3 - 3 Kg

NPL ANODES - PLATES | NPL5



L	A	Thickness
300mm	150mm	17

Weight NPL5 - 5 Kg

NPL ANODES - PLATES | NPL7



L	A	Thickness
300mm	150mm	22

Weight  NPL7 - 7 Kg

SUSPENDED ANODES | NR30A

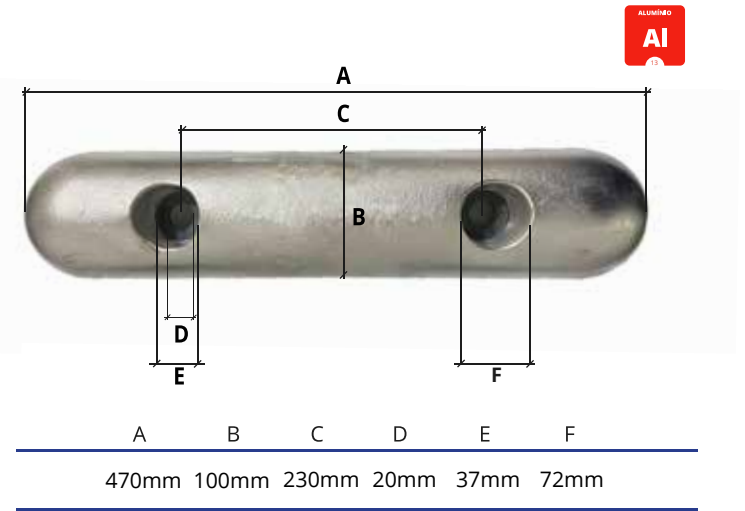
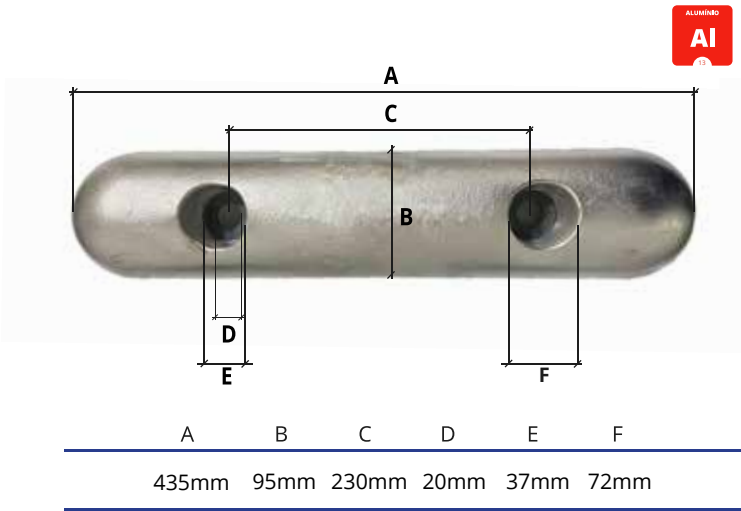


Diameter	Length	Cable Length
30mm	400mm	3 - 6 m

Weight  NR30A - 2 Kg

FAIRLINE ANODES | FAIRLINE NAL 3,1

FAIRLINE ANODES | FAIRLINE NAL 5



Weight  **FAIRLINE NAL 3,1** - 3,1 Kg

Weight  **FAIRLINE NAL 5** - 5 Kg

Zinc  it
MARITIME SPARES

ENGINE
ZINC ANODES

SACRIFICIAL ANODES



www.zinc-it.eu

+351 229 520 615

REPLACEMENT KITS | VOLVO PENTA



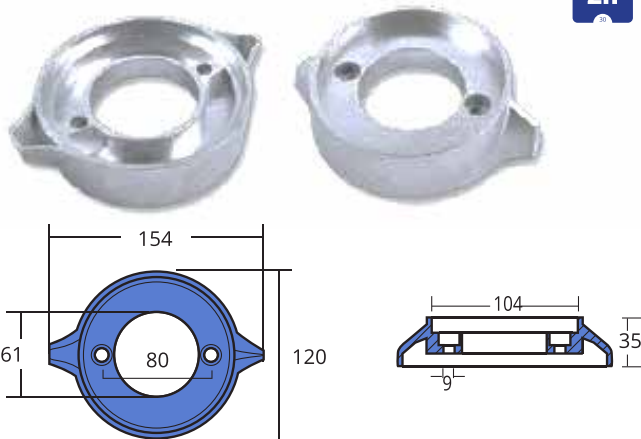
KIT VP- 290 DP	KIT VP- DPH/DPR
KIT VP- SX	KIT VP- 290C
KIT VP- 290	KIT VP - 290DP-C
KIT VP- SX-A, DPS-A	

REPLACEMENT KITS | MERCURY



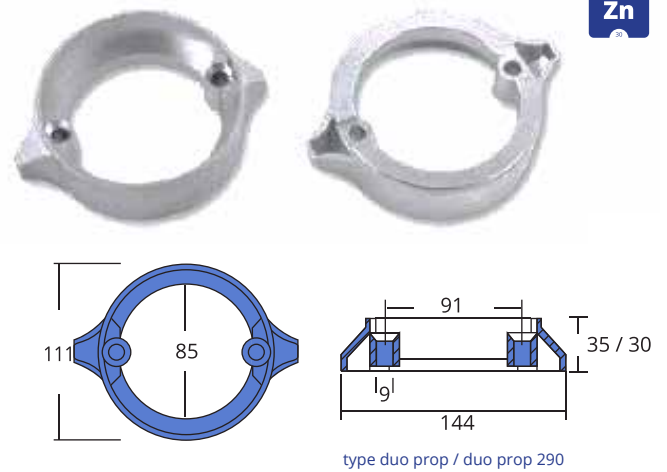
MM ALPHA GENERATION 1	KIT MM- BRAVO III
MM ALPHA GENERATION 2	KIT MM- BRAVO II-III
KIT MM- BRAVO I	KIT MM- VERADO 4

VOLVO PENTA | NVP-875815 ENGINE 280



Weight NVP-875815 ENGINE 280 - 0,780 Kg

VOLVO PENTA | NVP-852182 / NVP-875821



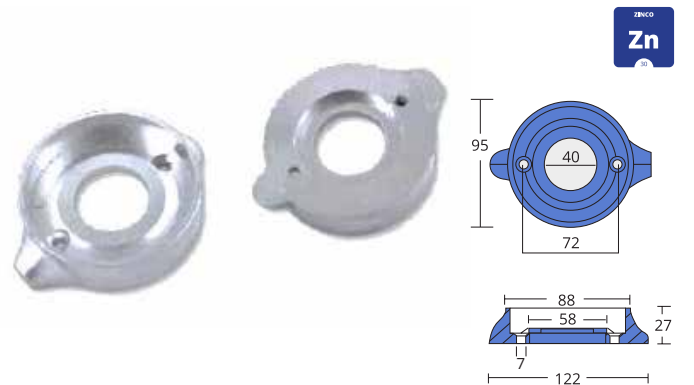
Weight NVP-852182 - 0,510 Kg NVP-875821 - 0,472 Kg

VOLVO PENTA | NVP-875812 ENGINE S-DRIVE 110



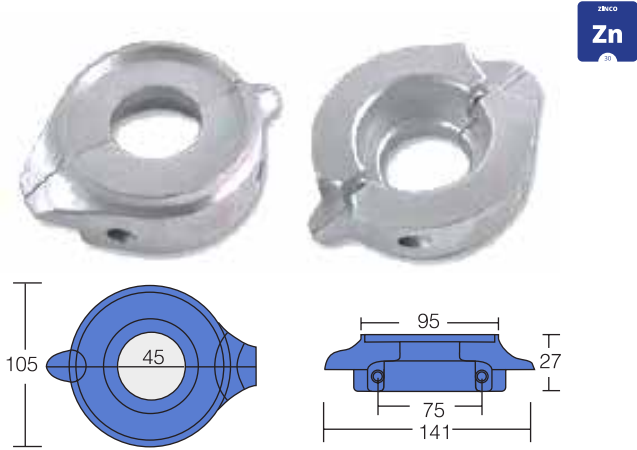
Weight NVP-875812 ENGINE S-Drive 110 - 0,895 Kg

VOLVO PENTA | NVP-851983 ENGINE S-DRIVE 120



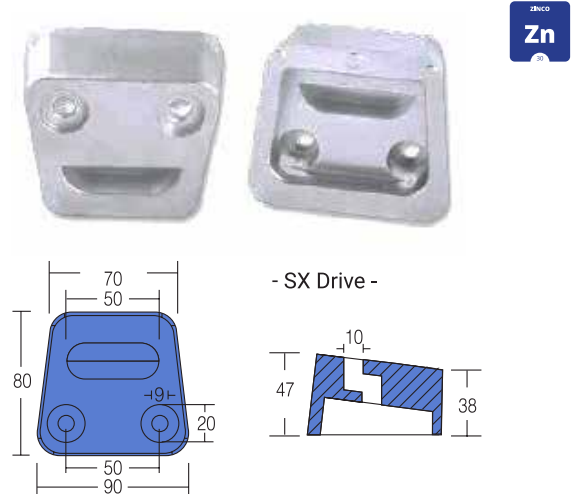
Weight NVP-851983 ENGINE S-Drive 120 - 0,485 Kg

VOLVO PENTA | NVP DUO0506 ENGINE: SD 130/150
2002 2003



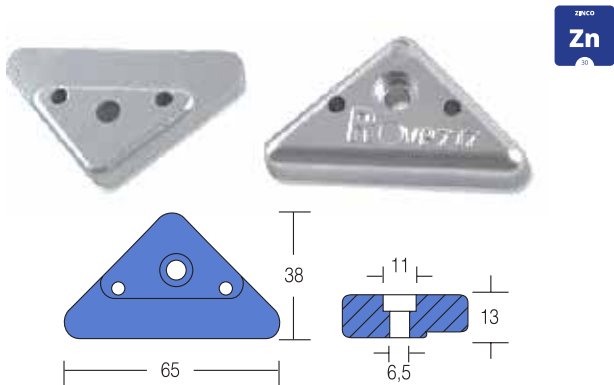
Weight NVP duo0506 ENGINE: SD 130/150 - 1,460 Kg

VOLVO PENTA | NVP-3854130 ENGINE: SX DRIVE



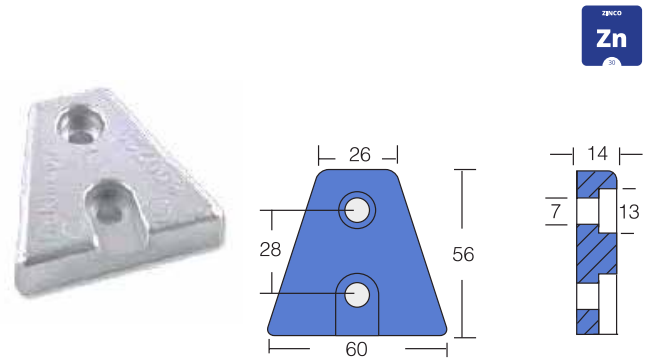
Weight NVP-3854130 ENGINE: SX Drive - 1,040 Kg

VOLVO PENTA | NVP-872793 ENGINE: DUO PROP 290



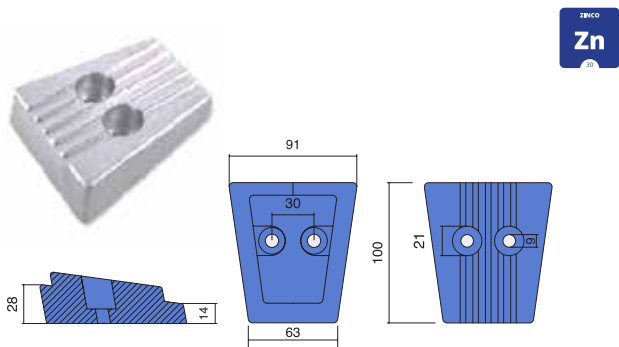
Weight NVP-872793 ENGINE: DUO PROP 290 - 0,120 Kg

VOLVO PENTA | NVP-876638 ENGINE DPX



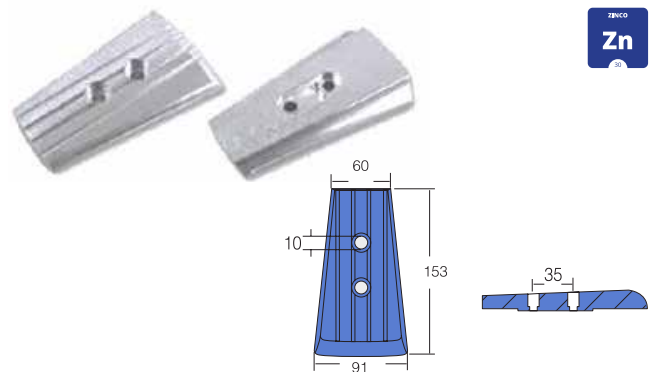
Weight NVP-876638 ENGINE DPX - 0,200 Kg

VOLVO PENTA | NVP-3888817 ENGINE SXA, DPS-A



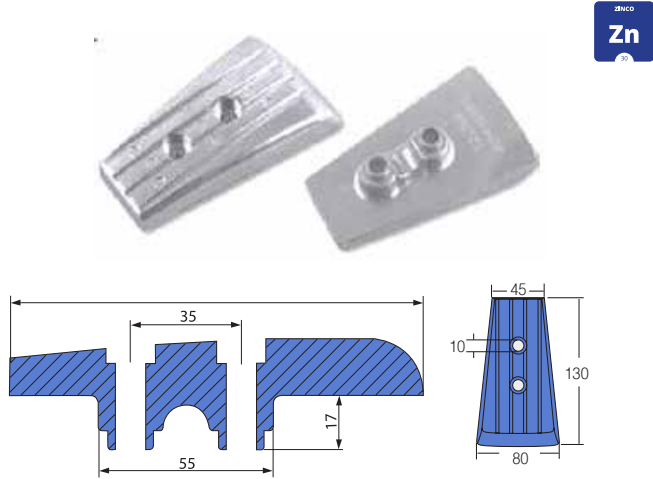
Weight NVP-3888817 ENGINE SXA, DPS-A - 1,045 Kg

VOLVO PENTA | NVP-3888814 ENGINE: SXA/DPS-A



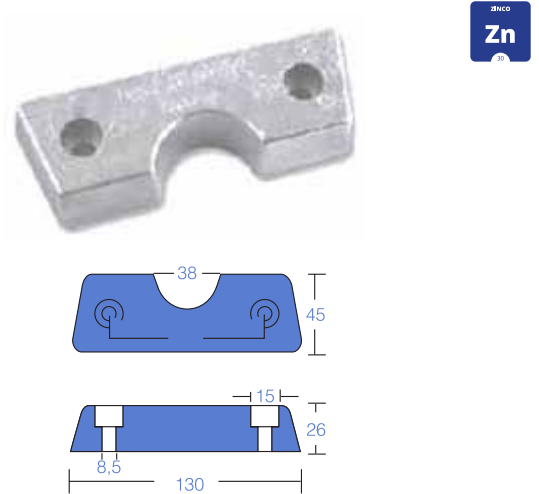
Weight NVP-3888814 ENGINE: SXA/DPS-A - 1,197 Kg

VOLVO PENTA | NVP-TRI464650 ENGINE: DPH/DPR



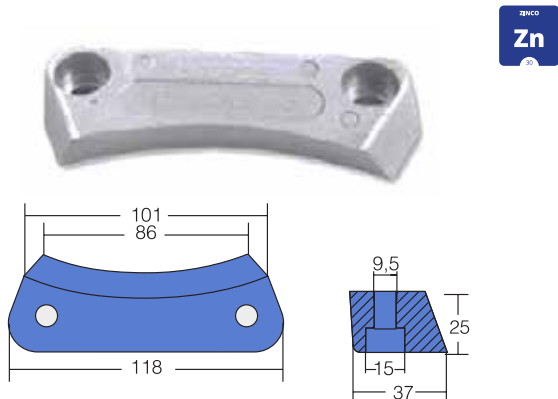
Weight NVP-Tri464650 ENGINE: DPH/DPR - 0,870 Kg

VOLVO PENTA | NVP-872139 ENGINE: DPX



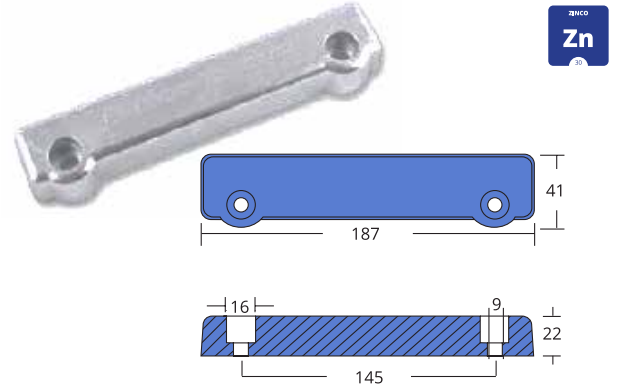
Weight NVP-872139 ENGINE: DPX - 0,764 Kg

VOLVO PENTA | NVP-TRI457068 ENGINE: DUO PROP



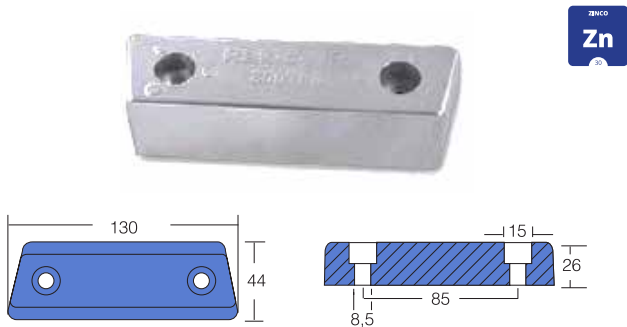
Weight NVP-tri457068 ENGINE: DUO PROP - 0,473 Kg

VOLVO PENTA | NVP-832598 ENGINE: 250-270-280-285



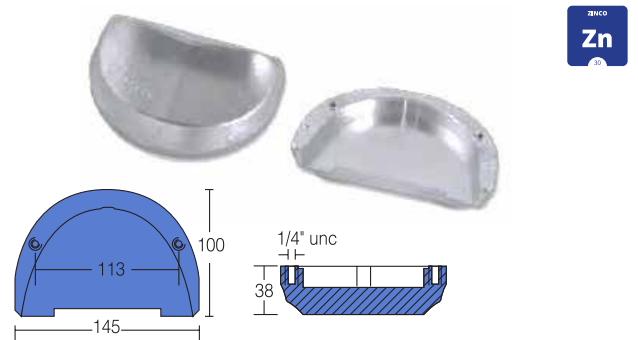
Weight NVP-832598 ENGINE: 250-270-280-285 - 0,895 Kg

VOLVO PENTA | NVP-852835 ENGINE: DUO PROP 290



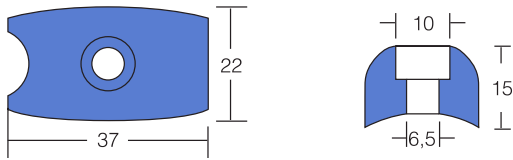
Weight NVP-852835 ENGINE: Duo Prop 290 - 0,800 Kg

VOLVO PENTA | NVP-3855411 ENGINE: SX DRIVE



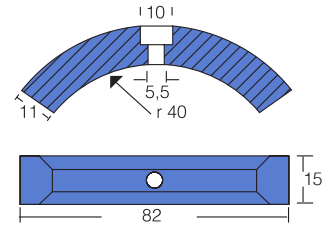
Weight NVP-3855411 ENGINE: SX Drive - 0,850 Kg

VOLVO PENTA | NVP-7HP ENGINE: 7HP SLEIPNER



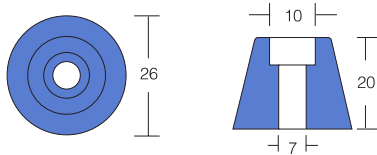
Weight NVP-7HP ENGINE: 7HP sleipner - 0,041 Kg

VOLVO PENTA | NVP-3858399



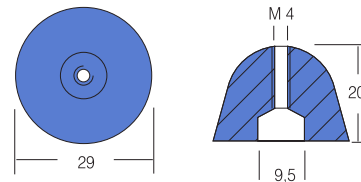
Weight NVP-3858399 - 0,264 Kg

VOLVO PENTA | NVP-TRUSTER M7 ENGINE: QL TRUSTER M7



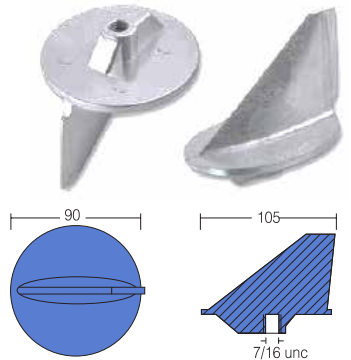
Weight NVP-Truster M7 ENGINE: QL Truster M7 - 0,043 Kg

VOLVO PENTA | NVP-TRUSTER M4 ENGINE: QL TRUSTER M4



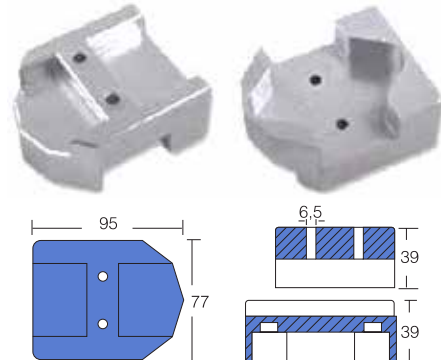
Weight NVP-Truster M4 ENGINE: QL Truster M4 - 0,053 Kg

MERCURY MERCRUISER | NMM-31640 ENGINE: HP 50



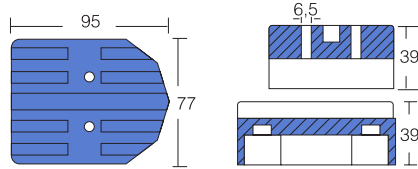
Weight NMM-31640 ENGINE: HP 50 - 0,466 Kg

MERCURY MERCRUISER | NMM-821631 ENGINE: F.BB/E.B



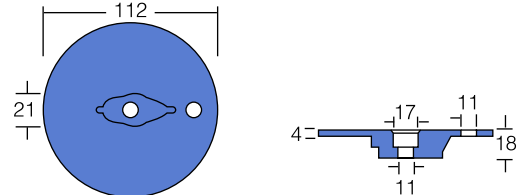
Weight NMM-821631 ENGINE: F.BB/E.B - 0,846 Kg

MERCURY MERCURISER | NMM-43994 ENGINE: BRAVO/ALPHA II/.BB/E.B



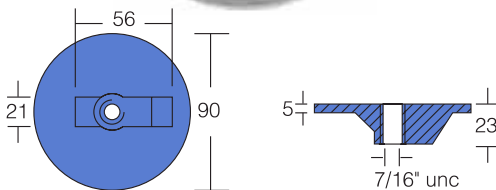
Weight NMM-43994 ENGINE: Bravo/Alpha II/.BB/E.B - 0,924 Kg

MERCURY MERCURISER | NMM-76214 ENGINE: HP 225-250 BRAVO



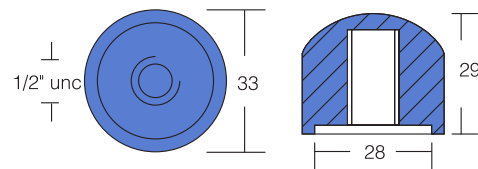
Weight NMM-76214 ENGINE: HP 225-250 Bravo- 0,316 Kg

MERCURY MERCURISER | NMM-76214-5 ENGINE: ALPHA



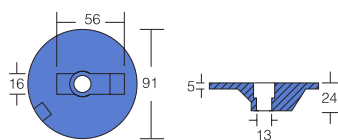
Weight NMM-76214-5 ENGINE: Alpha - 0,311 Kg

MERCURY MERCURISER | NMM-55989 ENGINE: ALPHA I/BRAVO I



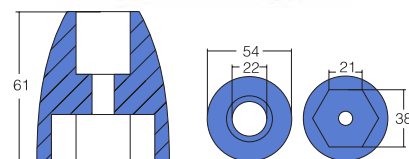
Weight NMM-55989 ENGINE: Alpha I/Bravo I - 0,118 Kg

MERCURY MERCURISER | NMM-76214-4 ENGINE: ALPHA I -BRAVO & VERADO



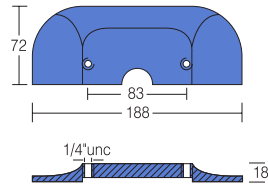
Weight NMM-76214-4 ENGINE: ALPHA I -BRAVO & VERADO - 0,290 Kg

MERCURY MERCURISER | NMM-865182 ENGINE: BRAVO III

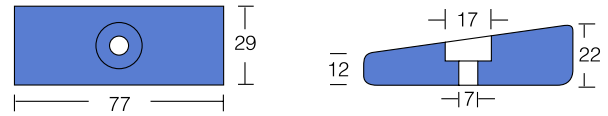


Weight NMM-865182 ENGINE: Bravo III - 0,508 Kg

MERCURY MERCURISER | NMM-821629 ENGINE: ALPHA I



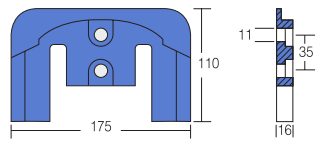
MERCURY MERCURISER | NMM-826134 ENGINE: 75HP-V6 40/50/115 EFI 4T



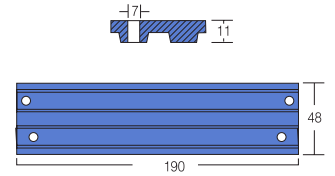
Weight NMM-821629 ENGINE: Alpha I 0,809 Kg

Weight NMM-826134 ENGINE: 75HP-V6 40/50/115 EFI 4T- 0,239 Kg

MERCURY MERCURISER | NMM-821630 ENGINE: BRAVO



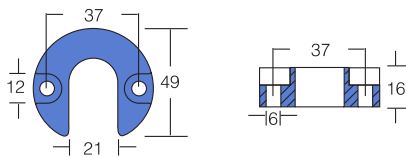
MERCURY MERCURISER | NMM-818298 ENGINE: TYPE HP 40 -75 / HP 40-250



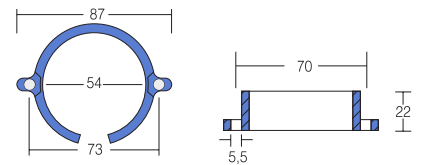
Weight NMM-821630 ENGINE: Bravo - 0,920 Kg

Weight NMM-818298 ENGINE: type HP 40 -75 / HP 40-250- 0,585 Kg

MERCURY MERCURISER | NMM-806189 ENGINE: ALPHA



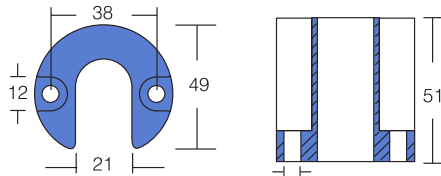
MERCURY MERCURISER | NMM-806188 ENGINE: BRAVO I E III



Weight NMM-806189 ENGINE: Alpha - 0,113 Kg

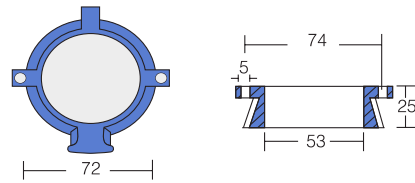
Weight NMM-806188 ENGINE: Bravo I e III - 0,167 Kg

MERCURY MERCURISER | NMM-806190 ENGINE: BRAVO



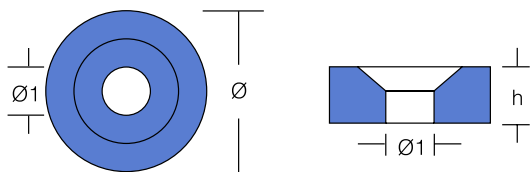
Weight NMM-806190 ENGINE: Bravo 0,337 Kg

MERCURY MERCURISER | NMM-806105 ENGINE: ALPHA I/ALPHA II GEN



Weight NMM-806105 ENGINE: Alpha I/Alpha II gen- 0,222 Kg

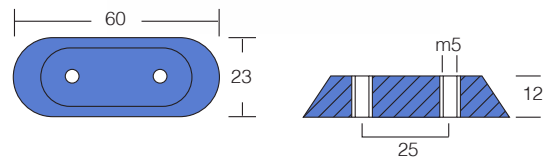
MERCURY MERCURISER | NMM-823912 ENGINE: HP 4.5



Ø	Ø1	h	Kg
20	7.0	7.0	0,011

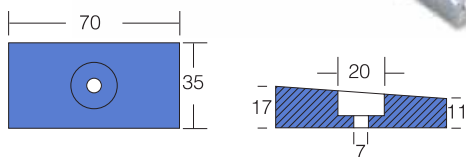
Weight NH-HP 8-20 FB ENGINE: HP 8-20 FB - 0,079 Kg

HONDA | NH-HP 8-20 FB ENGINE: HP 8-20 FB



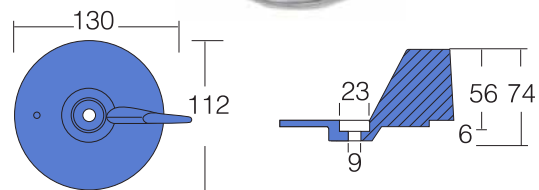
Weight NH-HP 8-20 FB ENGINE: HP 8-20 FB - 0,079 Kg

HONDA | NH-HP 75-130-225 ENGINE: HP 75-130-225



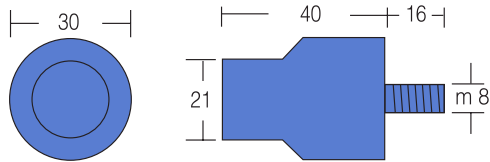
Weight NH-HP 75-130-225 ENGINE: HP 75-130-225 - 0,218 Kg

HONDA | NH-HP 8-10-15 ENGINE: HP 8-10-15



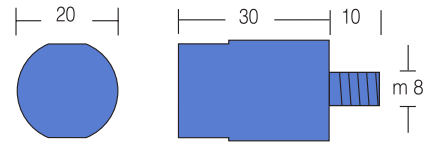
Weight NH-HP 8-10-15 ENGINE: HP 8-10-15 - 0,395 Kg

YANMAR | YM HP8 10 ENGINE: HP 8 10



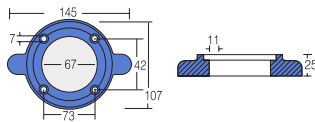
Weight YM HP8 10 ENGINE: HP 8 10 - 0,157 Kg

YANMAR | YM 27210200300 ENGINE: HP 8 12



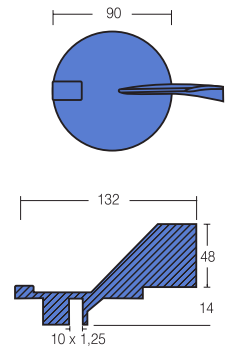
Weight YM 27210200300 ENGINE: HP 8 12 - 0,066 Kg

YANMAR | YM 196420 02652



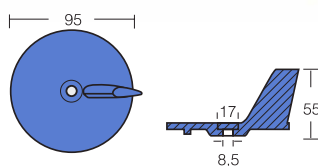
Weight YM 196420 02652 - 0,745 Kg

YAMAHA MARINER | NYH-67F-45371-00 ENGINE: 4T 80-100



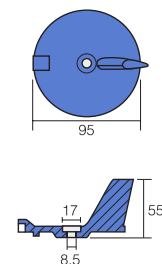
Weight NYH-67F-45371-00 ENGINE: 4T 80-100 - 0,391 Kg

YAMAHA MARINER | NYH-664-45371-01 ENGINE: HP 20-25-30 YAMAHA 10-50 MARINER



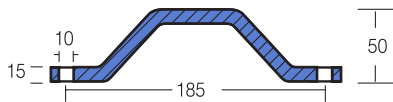
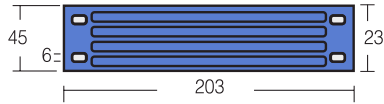
Weight NYH-664-45371-01 ENGINE: HP 20-25-30 Yamaha 10-50 Mariner - 0,210 Kg

YAMAHA MARINER | NYH-67C-45371-00



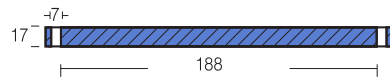
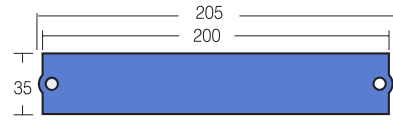
Weight NYH-67C-45371-00 - 0,215 Kg

YAMAHA MARINER | NYH-6G5-45251-02 ENGINE: 150/200 HP



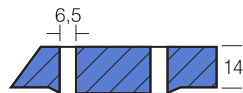
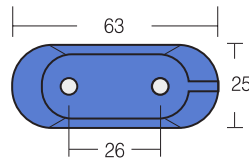
Weight NYH-6G5-45251-02 ENGINE: 150/200 HP - 0,920 Kg

YAMAHA MARINER | NYH-DUO 0103 ENGINE: HP 60-90



Weight NYH-duo 0103 ENGINE: HP 60-90 - 0,568 Kg

YAMAHA MARINER | NYH-65W-45251-00 ENGINE: HP 40



Weight NYH-65W-45251-00 ENGINE: HP 40 - 0,106 Kg

COOLING SYSTEM
ZINC ANODES

SACRIFICIAL ANODES



CYLINDRICAL ANODES | NR9 - NR40



Model	Diameter	Lenght
NR9	9mm	300mm
NR10	10mm	300mm
NR12	12mm	300mm
NR15	15mm	400mm
NR16	16mm	400mm

Weight

NR9	0,14Kg	NR15	0,50Kg
NR10	0,17Kg	NR16	0,60Kg
NR12	0,24Kg		

Weight

NR20	0,90Kg	NR35	2,70Kg
NR25	1,40Kg	NR40	3,50Kg
NR30	2Kg		

CYLINDRICAL ANODES | NR50 - NR190



Model	Diameter	Lenght
NR20	20mm	400mm
NR25	25mm	400mm
NR30	30mm	400mm
NR35	35mm	400mm
NR40	40mm	400mm

Weight

NR50	5,40Kg	NR80	14Kg
NR60	7,70Kg	NR90	18Kg
NR75	12,10Kg		

Weight

NR100	22Kg	NR190	83Kg
NR125	35,5Kg		
NR150	50Kg		

PENCILS | PNC BRASS PLUG



Brass plug			Wrench
Model	NPT Tube	Length	
14	¼"		14
38	¾"	23mm	17
12	½"		22

PENCILS | PNZ ANODES



Anode Thread			Anode Length	Anode Diameter
Model	Diameter	Length		
D105	¾"		50 mm	10.5 mm
D130	7/16"	15 mm	50 mm	13 mm
D150	9/16"		80 mm	15 mm

PENCILS | PNT ANODES



Brass plug			Anode Thread		Anode Length	Anode Diameter	Wrench
Model	NPT Tube	Length	Diameter	Length			
R14D105	¼"		¾"		50 mm	10.5 mm	14
R38D130	¾"	23mm	7/16"	15mm	50 mm	13 mm	17
R12D150	½"		9/16"		80 mm	15 mm	22

PENCILS | TAILOR-MADE PENCIL



Diameter	up to 32
Threads	Inches or Metric
Length	up to 370 mm

HYDROJET
ANODES

SACRIFICIAL ANODES

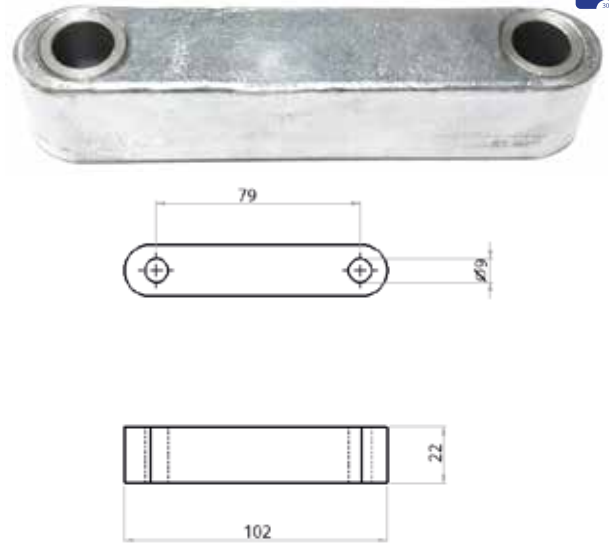


HYDROJET ANODES | HAMILTON JET 447



Weight Model: HJ447ZN - 0,3 Kg

HYDROJET ANODES | HAMILTON JET 634



Weight Model: HJ634ZN - 0,3 Kg

HYDROJET ANODES | HAMILTON JET 359



Weight Model: HJ359ZN - 0,3 Kg

HYDROJET ANODES | HAMILTON JET 121



Weight Model: HJ121ZN - 8,5 Kg

HYDROJET ANODES | HAMILTON JET 393



Weight  Model: HJ393ZN - 11,3 Kg

HYDROJET ANODES | HAMILTON JET 232



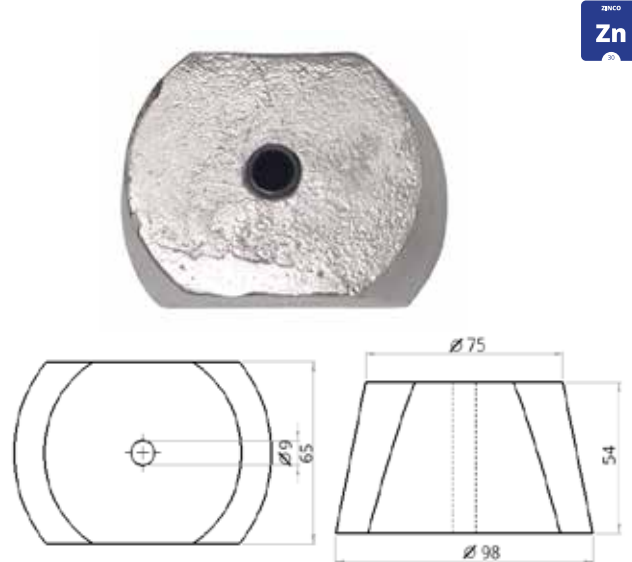
Weight  Model: HJ232ZN - 4,9 Kg

HYDROJET ANODES | HAMILTON JET 123



Weight  Model: HJ123ZN - 0,9 Kg

HYDROJET ANODES | HAMILTON JET 127



Weight  Model: HJ127ZN - 1,8 Kg

HYDROJET ANODES | CASTOLDI 180



Ø1	Ø2	R
84	180	82

Weight Castoldi 180 - 1,5 Kg

HYDROJET ANODES | CASTOLDI 240



Ø1	Ø2	R
154	240	127

Weight Castoldi 240 - 3,4 Kg Stainless steel insert

CASTOLDI KITS | N0-0.5 / NRF-0.3 / CASTOLDI 240 / NNB32



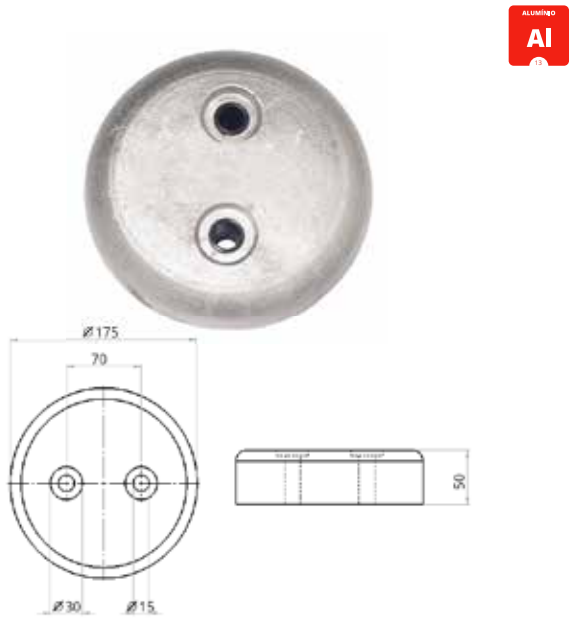
23 UNITS MODEL N0-0.5

1 UNIT MODEL NRF-0.3

1 UNIT MODEL CASTOLDI 240

1 UNIT MODEL NNB32

HYDROJET ANODES | HAMILTON JET 121



Weight **AI** HJ121AL - 3,25 Kg

HYDROJET ANODES | HAMILTON JET 393



Weight **AI** HJ393AL - 4,4 Kg

HYDROJET ANODES | HAMILTON JET 232



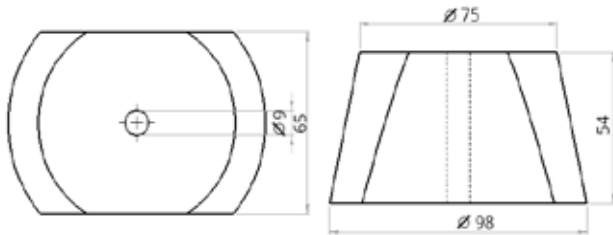
Weight **AI** HJ232AL - 1,9 Kg

HYDROJET ANODES | HAMILTON JET 123



Weight **AI** HJ123AL - 0,35 Kg

HYDROJET ANODES | HAMILTON JET 127



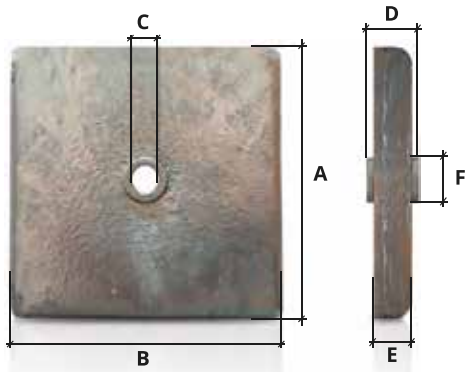
Weight  HJ127AL - 0,7 Kg

OTHER ANODES

SACRIFICIAL ANODES



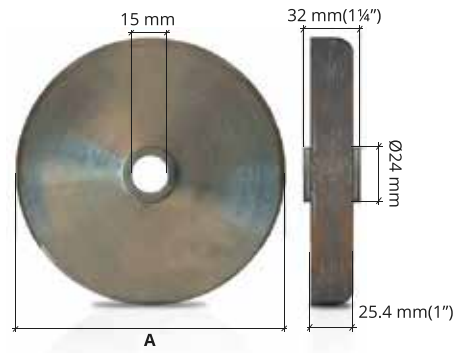
ANODES FOR FISHING FARMING | Models ZEP - A



A	B	C	D	E	F
152mm	152mm	15mm	32mm	25.4mm	Ø24
	(6")	(6")	(1¼")	(1")	

Weight MODEL ZEP A - 4 Kg

ANODES FOR FISHING FARMING | Models ZEP - B



A	Weight
Size (mm)	Kg
127	2,25
76	0,81

ANODES FOR HOT WATER | NP4



Diameter	Hole	Height
80mm	M24	115mm

Weight NP4 - 4 Kg

ANODES FOR HOT WATER | NP5.5



Diameter	Hole	Height
100mm	M36	100mm

Weight NP5.5 - 5,5 Kg

ANODES FOR HOT WATER



Model	Diameter	Element Length	Length	Coupling
NMAG-S22	Ø22	125	Minimum: 3 elements	M8/ Sealing Plug
NMAG-S26	Ø26	125	Minimum: 3 elements	M8/ Sealing Plug
NMAG-S33	Ø33	125	Minimum: 3 elements	M8/ Sealing Plug

ANODES FOR HOT WATER



Model	Diameter x Maximum length	Standard Length	Thread	Coupling
NMAG-B21	Ø21x700	230/320	M5 - M8 - 3/4"	M5 -M8 Without plug
NMAG-B22	Ø22x400	155/300/390/400	M5 - M8 - 3/4"	3/4" With plug
NMAG-B25	Ø25x450	230/300/350/450	M5 - M8 - 3/4" - 1/2"	M5 -M8 Without plug
NMAG-B26	Ø26x500	300/360/400/500	M5 - M8 - 3/4" - 1/2"	3/4" - 1/2" With plug
NMAG-B33	Ø33x550	300/400/500/550	M8 - 1 1/4"	M8 Without plug 1 1/4" With plug

CONVERSIONS

Kg	lb	mm	inches
0,14	0,31	10	0,4
0,24	0,53	15	0,6
0,50	1,10	20	0,8
0,90	1,98	25	1,0
1,20	2,65	30	1,2
2,00	4,41	35	1,4
2,50	5,51	40	1,6
3,50	7,72	45	1,8
4,00	8,82	50	2,0
5,00	11,02	60	2,4
6,00	13,23	70	2,8
7,70	16,98	100	3,9
9,00	19,84	150	5,9
10,20	22,49	200	7,9
11,00	24,25	250	9,8
12,00	26,46	300	11,8
13,00	28,66	350	13,8
16,00	35,27	400	15,7
18,00	39,68	450	17,7
21,00	46,30	500	19,7
26,00	57,32	550	21,7
40,00	88,18	600	23,6
50,00	110,23	650	25,6
83,00	182,98	700	27,6



PRODUCTION AND TRADE ACCORDING TO THE FOLLOWING SPECIFICATIONS:

ASTM B-418
MIL - A- 18001
MIL - DTL - 24779
Al-Zn-Si-In

INTERNAL METALLURGICAL LABORATORY
SPECTROMETRY ANALYSIS

® ZINC-IT IS AN EUROPEAN TRADE MARK

October 2023 Revision

Zinc it

M A R I T I M E S P A R E S

Produced and certified By:
Fonseca & Flora, Lda



Travessa de Recarei, 144 Armazém A,
4465-641 Leça do Balio - Porto, Portugal

comercial@fonsecaeflora.com | info@zinc-it.eu
+351 229 520 615

www.zinc-it.eu
www.fonsecaeflora.com